

led color	LEDs	lumen	W +/-10%	⊕	□	m ²	kg
740	10-30	1000 (only WW)	8-55	✓	✓	0,05	7,2Kg
830		1200-7000					

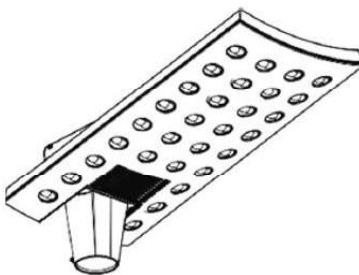
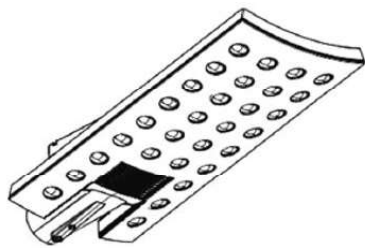
CRI	CCT	Energy Efficiency Rating	Light source color
80	3000	E	830
70	4000	D	740

System Power depends on amount of LEDs: see product label.

Ambient: -20 to + 35°C in general. Specific max ambient temperature see product label. If nothing stated on product label max ambient temperature 25°C.

Other ambient temperature on request.

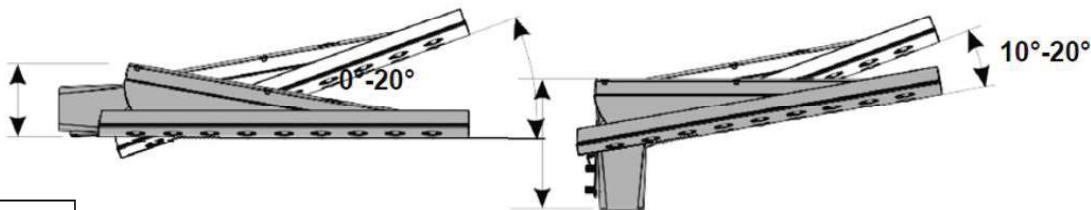
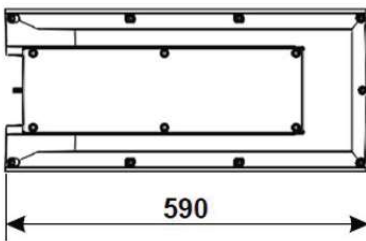
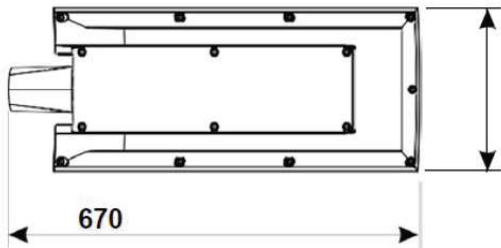
Exception for certain versions equipped with dimming gear, mini photocell: please check the gear label.

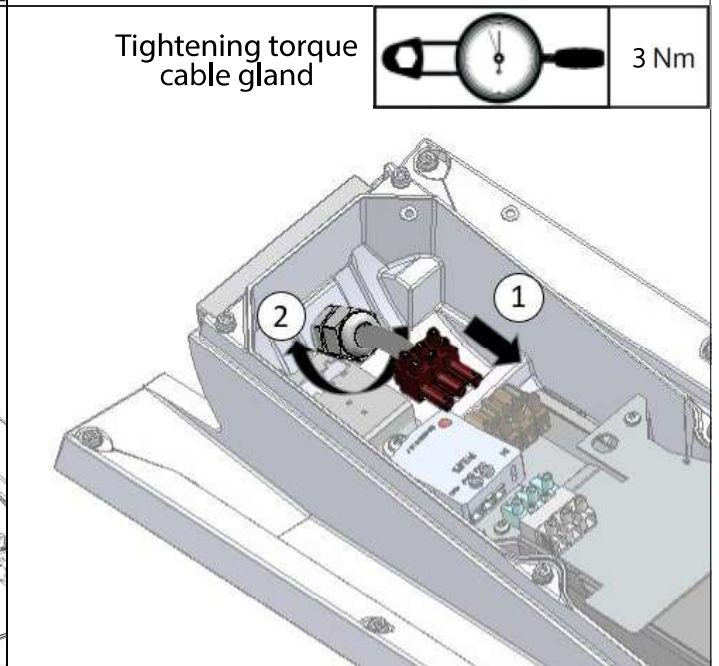
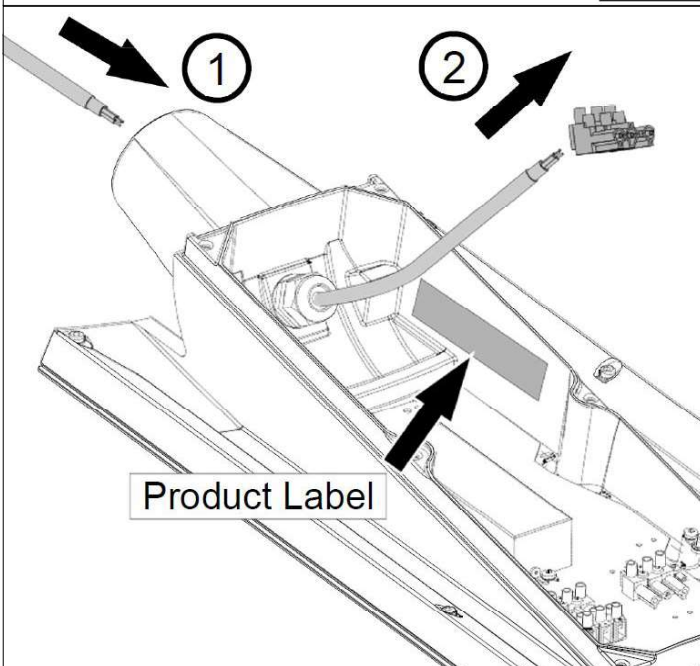
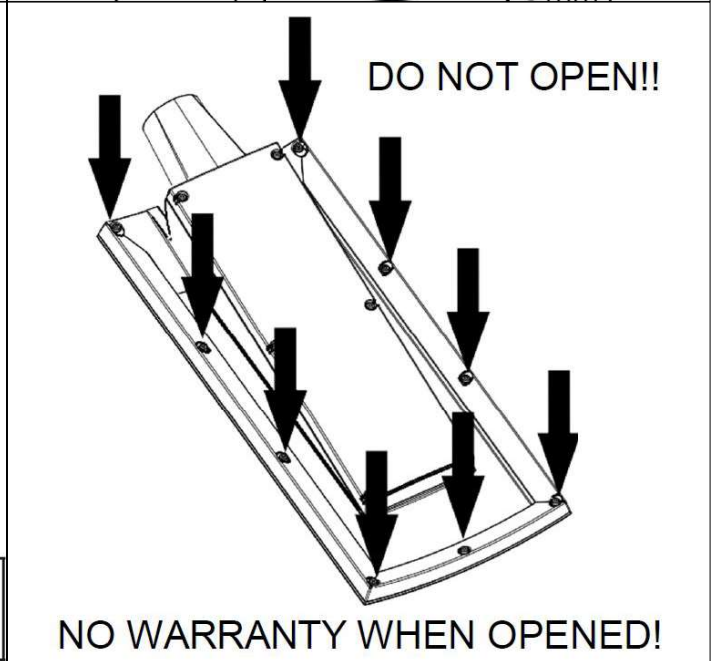
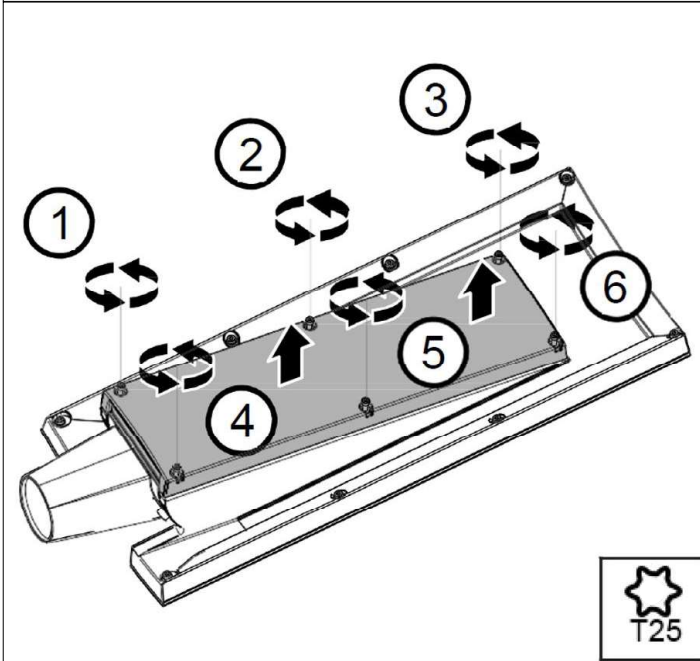
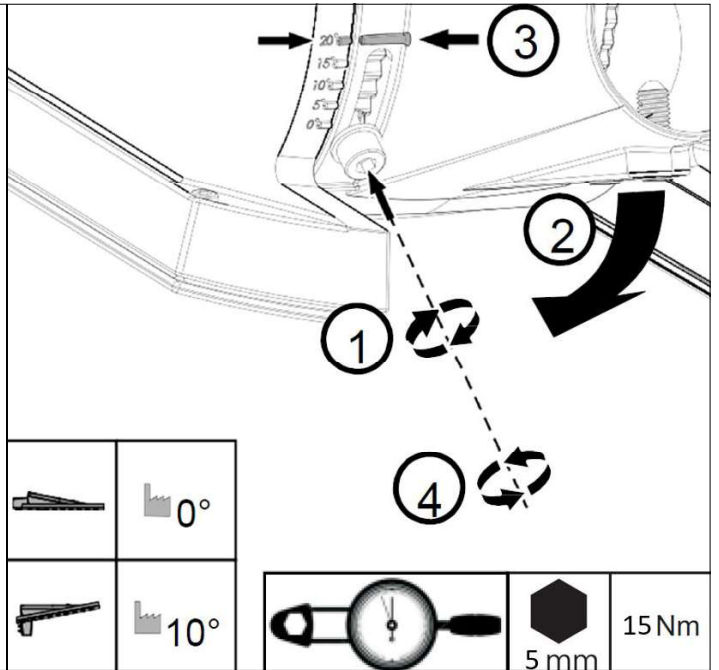
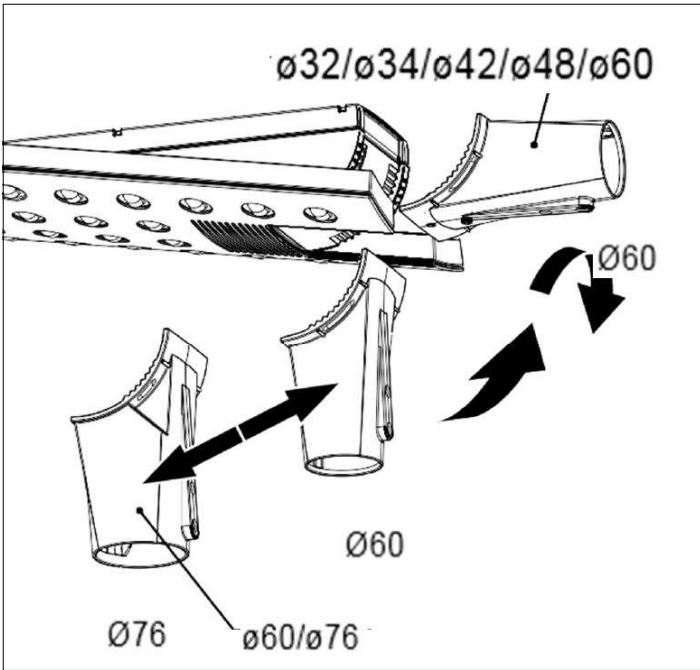


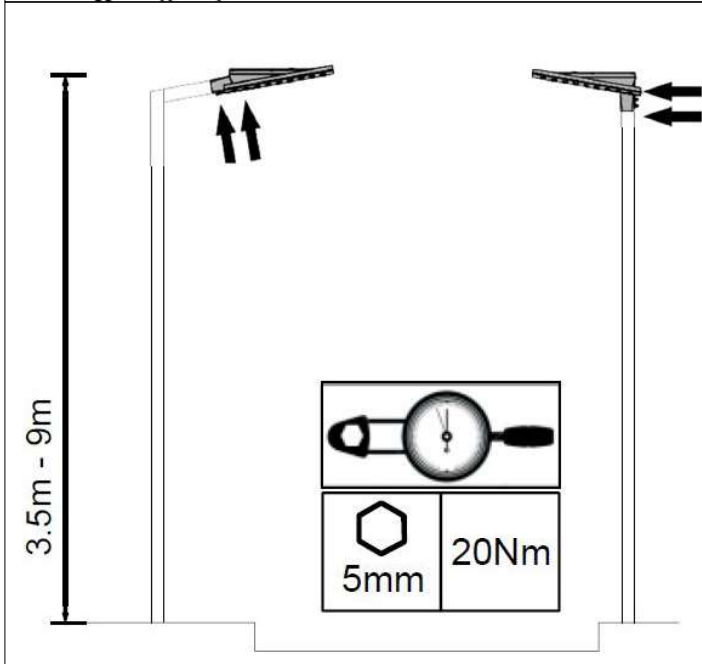
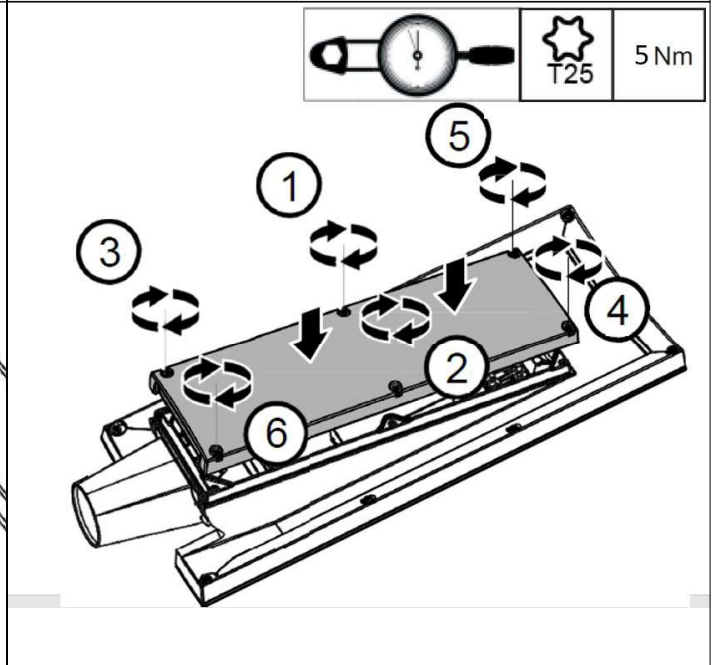
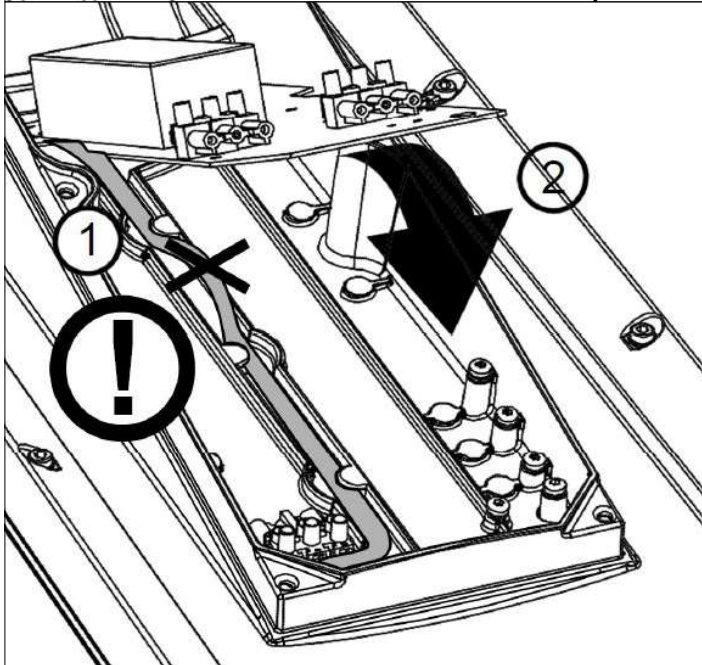
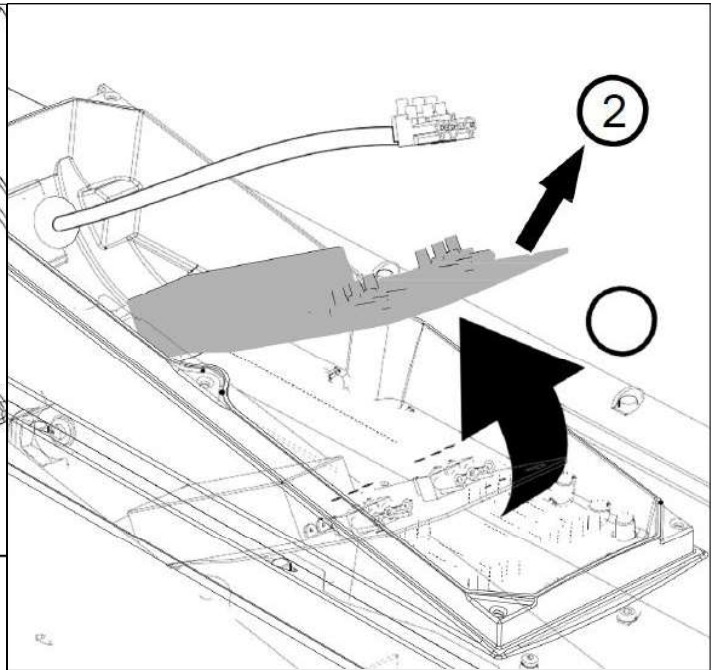
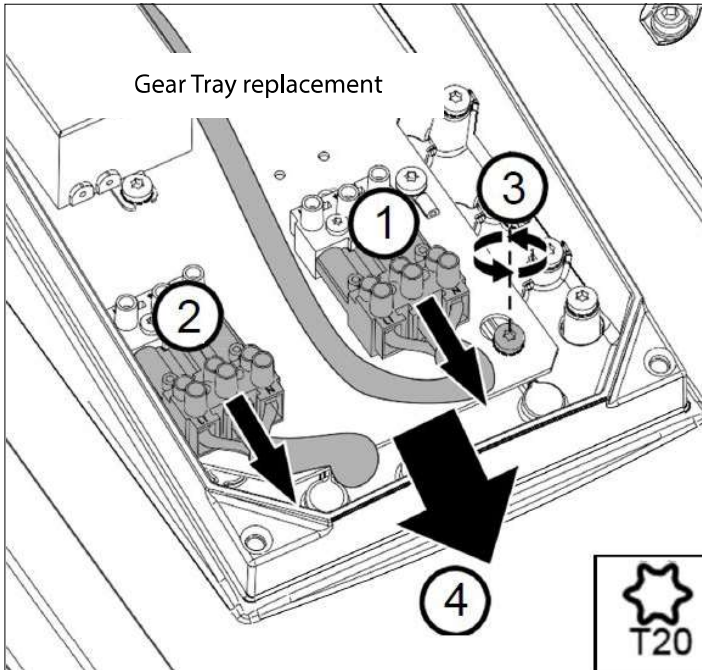
This luminaire must be installed only by qualified personnel



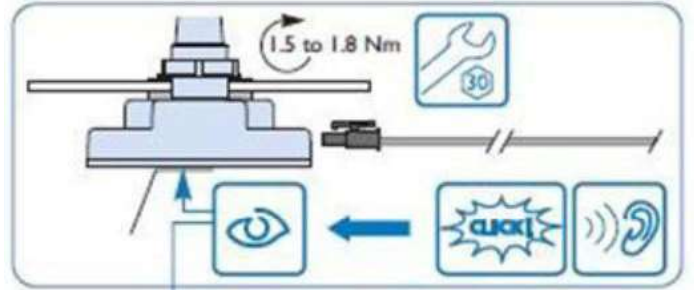
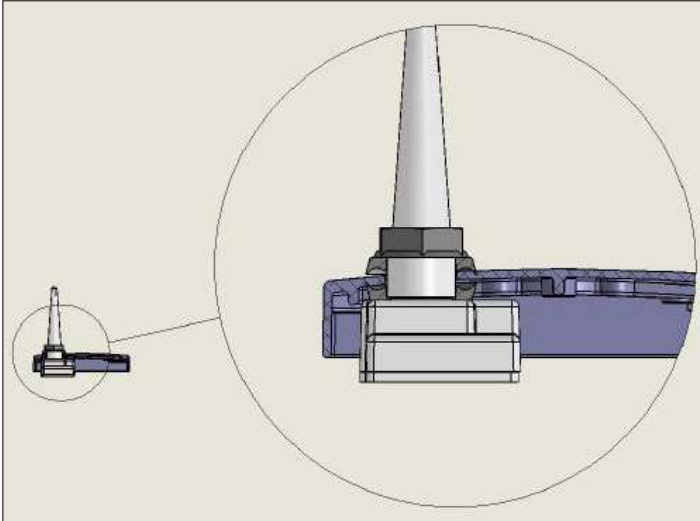
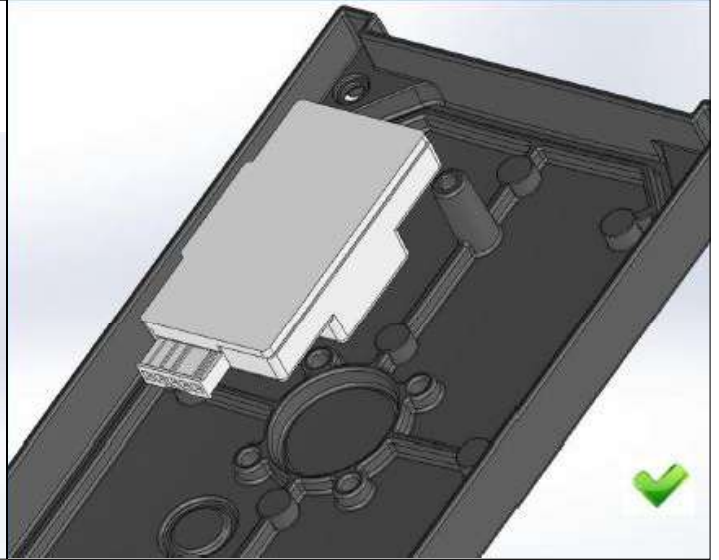
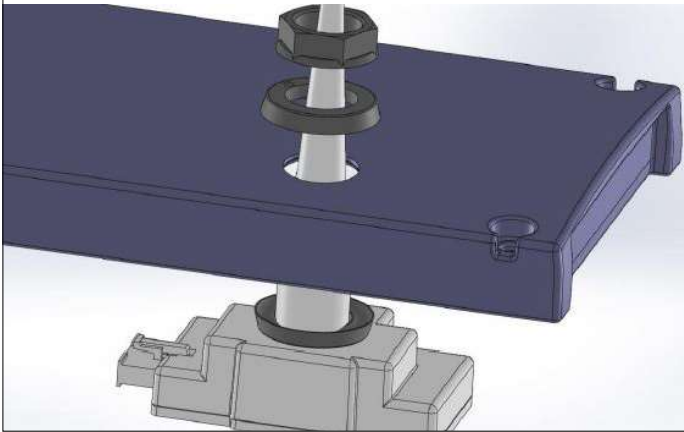
Disconnect before servicing





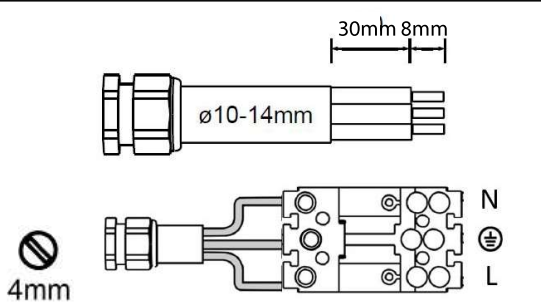



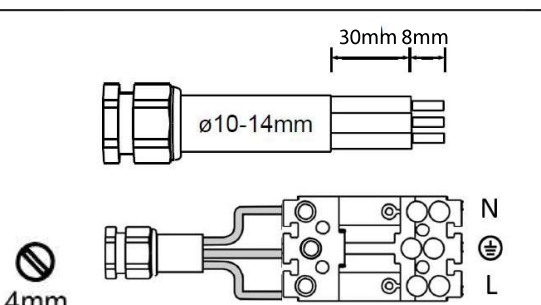

Starsense LLC Mounting

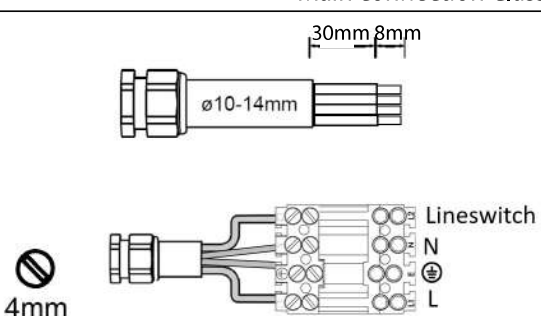



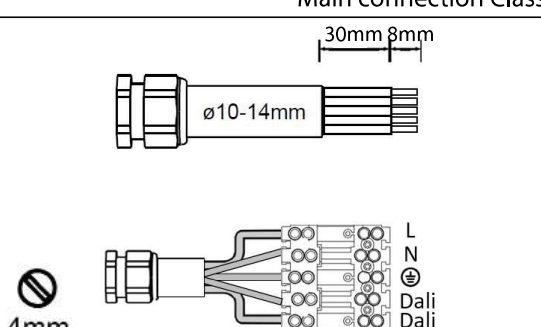

<p>2a</p> <p>IP66 ✓ 😊</p>	<p>2b</p> <p>IP66 ✓ 😊</p>
<p>2c</p> <p>IP66 ✗ 😞</p>	<p>2d</p> <p>IP66 ✗ 😞</p>
<p>CityTouch OLC COM SR</p>	
<p>2e</p>	<p>2f</p>
<p>2g</p> <p>✓ 😊</p>	<p>2h</p> <p>✓ green LED 😊</p>

TYPES OF MAIN CONNECTOR

Basic Version - No Dimmable - No Device/ P1 / PZA/ PZD Basic Version - Dimmable - DALI - P1-5-CP Basic Version - Dimmable- D18- No Device/ P1 / PZA/ PZD		
Main connection Class-I / Class II with SPD10 10kV		
 <p style="text-align: center;">30mm 8mm</p> <p style="text-align: center;">ø10-14mm</p> <p style="text-align: center;">4mm</p>	N	NEUTRAL (Blue)
		GROUND (Yellow & Green)
	L	LINE (Brown)

System Ready - Citytouch - D9/D18 System Ready - No Dimmable - SRT/P1-7-CP/EasyAir System Ready - D18 - SRT		
Main connection Class-I / Class II with SPD10 10kV		
 <p style="text-align: center;">30mm 8mm</p> <p style="text-align: center;">ø10-14mm</p> <p style="text-align: center;">4mm</p>	N	NEUTRAL (Blue)
		GROUND (Yellow & Green)
	L	LINE (Brown)

Basic Version - Dimmable -D11/D12 System Ready - D11/D12		
Main connection Class-I / Class II with SPD10 10kV		
 <p style="text-align: center;">30mm 8mm</p> <p style="text-align: center;">ø10-14mm</p> <p style="text-align: center;">4mm</p>	Lc	LINESWITCH (Black)
	N	NEUTRAL (Blue)
		GROUND (Yellow & Green)
	L	LINE (Brown)

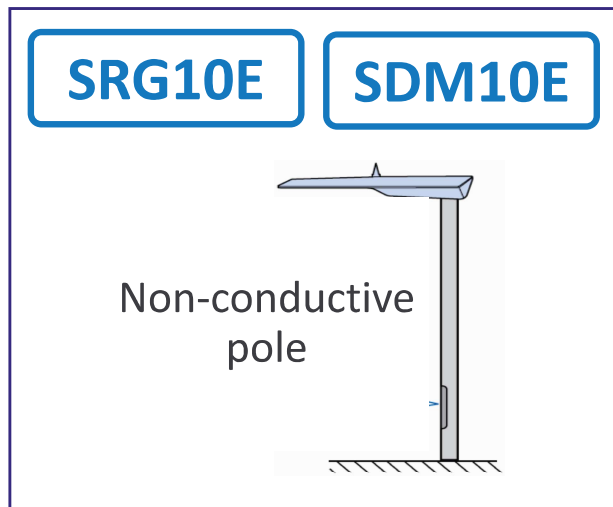
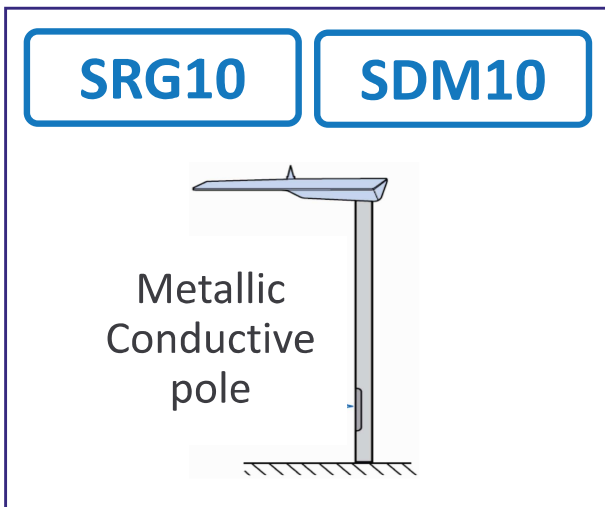
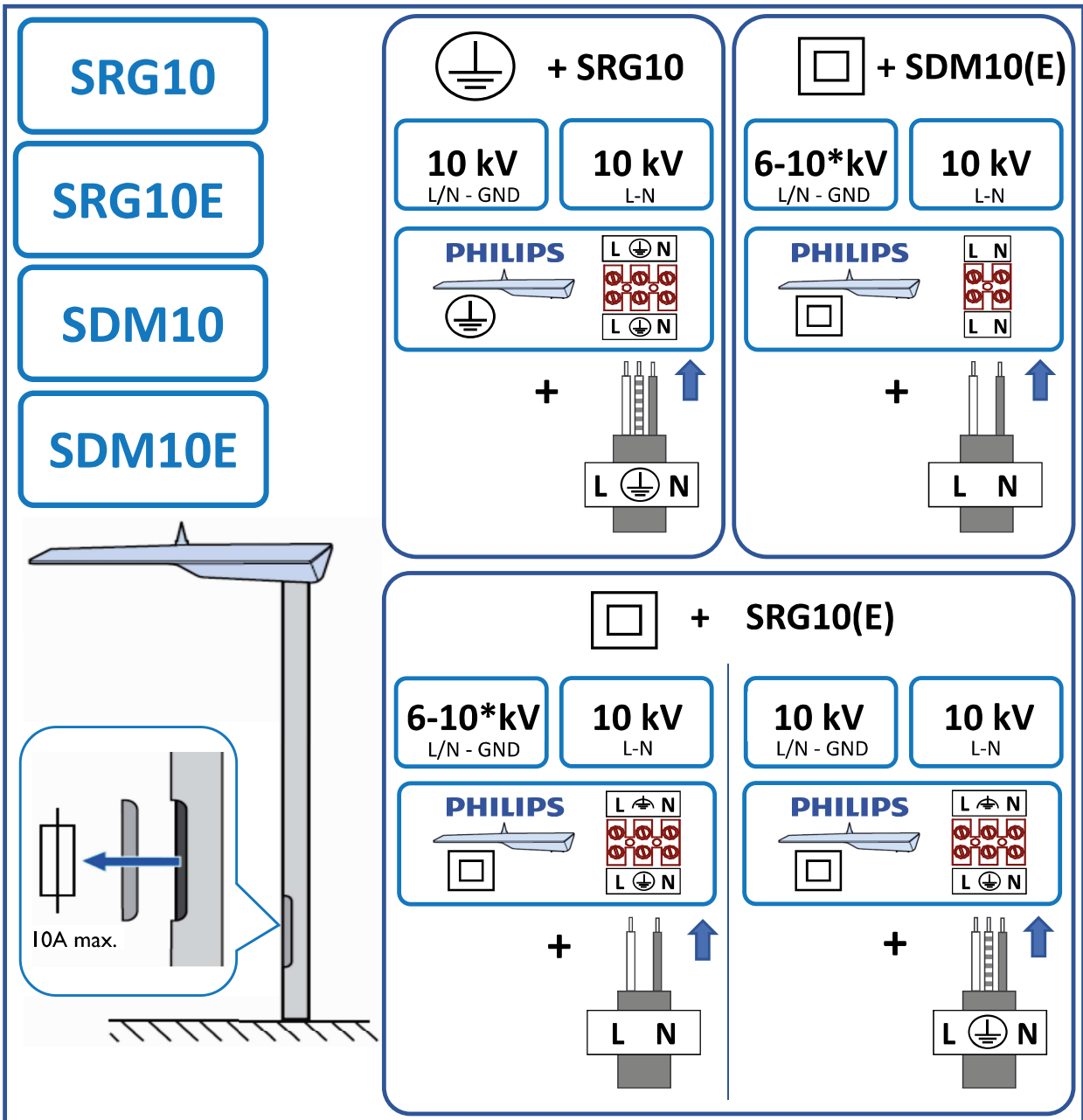
Basic Version - Dimmable - Dali - No device/P1-M Mayflower/P1/PZA/PZD		
Main connection Class-I / Class II with SPD10 10kV		
 <p style="text-align: center;">30mm 8mm</p> <p style="text-align: center;">ø10-14mm</p> <p style="text-align: center;">4mm</p>	L	LINE (Brown)
	N	NEUTRAL (Blue)
		GROUND (Yellow & Green)
	DALI	DALI (Grey)
	DALI	DALI (Black)

Basic Version - No Dimmable - No Device - Standard Surge Protection/ Surge Protection 10KV_SDM10
 Basic Version - Dimmable- D18- No Device - Standard Surge Protection / Surge Protection 10KV_SDM10

Main connection Class-II		
	N	NEUTRAL (Blue)
	L	LINE (Brown)

Main connection Class-II		
	N	NEUTRAL (Blue)
	Lc	LINESWITCH
	L	LINE (Brown)

Main connection Class-II		
	L	LINE (Brown)
	N	NEUTRAL (Blue)
	DALI	DALI (Grey)
	DALI	DALI (Black)



* 10kV for L/N – GND non-conductive connection

Content:

1. Safety instructions
2. Conformity with the standards
3. Technical data
4. Installation
5. Taking into operation
6. Maintenance
7. Installation Instructions

1. Safety instructions

For skilled electricians and trained personnel in accordance with national legislation, including the relevant standards.

Observe the national safety rules and regulations for prevention of accidents and the following safety instructions.

1. The technical data on product label indicated on the light fitting and the gear are to be observed.
2. Changes of the design and modification to the light fitting are not permitted.
3. The light fitting shall be operated as intended and in undamaged and perfect condition.
4. Only genuine spare parts may be used for replacement.
5. Repairs may only be carried out by a qualified "electrician".
6. Do not keep these operating instructions inside the light fitting during operation.

2. Conformity with standards

- This light fitting meets the requirements of EN 60 598.
- It has been designed, manufactured and tested as a state of art product and according to EN ISO 9001-2000 quality management system.
- It meets CE requirements.

3. Technical data

Technical details are stated on the product label. This label states number of LEDs, system wattage, supply voltage and frequency, power factor /cos phi, maximal current, electrical insulation class (if class 2, double insulated), maximum ambient temperature (if nothing is stated the maximum ambient temperature is 25 degrees C), IP value , CE mark.

4. Installation

Observe the respective national regulations as well as the general rules of engineering which apply to the installation and operation of electrical apparatus.

Transport and storage of the luminaire is permitted in original packaging and specified position only. Installation instructions are included in the packaging of each luminaire and are to be strictly followed.

We advise to disconnect the lantern from the power supply before gear exchange.

4. Taking into operation

Prior to operation, check the light fitting for its proper functioning and installation in compliance with these operation instructions, the installation instructions and other applicable regulations.

5. Maintenance, servicing and repair

When servicing, in particular those components that affect the type of protection, will have to be checked and replaced if applicable, e.g.

Disconnect the lantern from the power supply before opening it or carrying out repairs!

Observe the national regulations applicable to the maintenance, servicing and testing of electrical apparatus as well as the general rules of engineering.

☒ Depending on environmental circumstances the luminaire may need to be cleaned. For cleaning only use a damp cloth or sponge. Only use customary household wash-up liquid diluted in water. After cleaning rinse with clear water.

☒ In case of driver failure, 100% LEDs out, the luminaire can be opened for replacement of this driver.

☒ Check gaskets of the driver housing for their perfect condition. Grease the gasket with acid-free grease.

☒ Check terminal blocks for their firm fit.

☒ Only use genuine Indal spare parts.

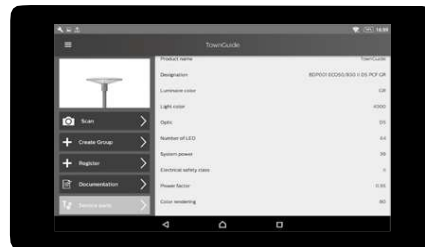
☒ The LEDs and lenses can not be replaced on site. The IP66 LED/lens compartment may not be opened in order to safeguard the proper light technical, electrical and mechanical working of the luminaire.

6. Installation instructions

Installation instructions are included in the packaging of each luminaire and are to be strictly followed.

Have you already downloaded the Philips Service tag app?

It helps you make LED maintenance easier and faster!



1. Download the app

App herunterladen

Descargar la app

Télécharger l'application



iOS



Android

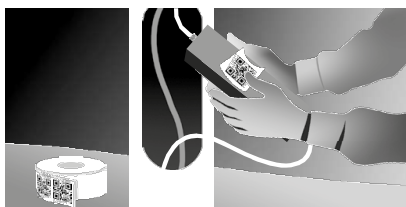


2. Place tag on the fuse box

Stelle den Tag auf den Sicherungskasten

Colocar la etiqueta en la caja de fusibles

Placer le tag sur le boîtier appareillage



3. Register the product

Produktregistrierung

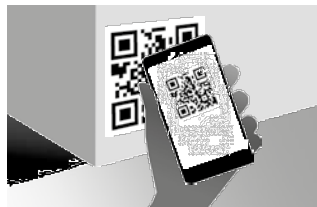
Registrar el producto

Enregistrer le produit



And also...

Und ebenso... Y también... Et aussi...



Mounting instructions

Montageanleitung

Instrucciones de montaje

Instructions de montage

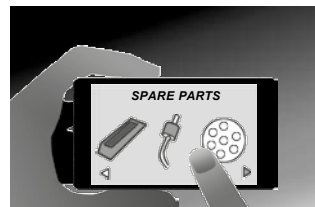


Troubleshooting

Problemebehebung

Resolución de problemas

Dépannage

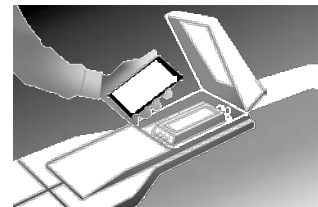


Spare parts list

Ersatzteilliste

Listado de repuestos

Liste des pièces de rechange



Driver re-programming

Treiber Neuprogrammierung

Reprogramación del driver

Reprogrammation du Driver

Want to know more about Service tag?

Go to www.philips.com/servicetag

Annex I: Simplified EU Declaration of Conformity

Hereby, Signify Holding declares that the radio equipment type included into the luminary is in compliance with Directive 2014/53/EU. The full text of the EU declaration of conformity is available at the following internet address: <http://www.philips.com/lighting>

	Signify Holding
ES	Por la presente, declara que el tipo de equipo radioeléctrico es conforme con la Directiva 2014/53/UE. El texto completo de la declaración UE de conformidad está disponible en la dirección Internet siguiente: http://www.philips.com/lighting
EN	Hereby, declares that the radio equipment type is in compliance with Directive 2014/53/EU. The full text of the EU declaration of conformity is available at the following internet address: http://www.philips.com/lighting
FR	Le soussigné, déclare que l'équipement radioélectrique du type est conforme à la directive 2014/53/UE. Le texte complet de la déclaration UE de conformité est disponible à l'adresse internet suivante: http://www.philips.com/lighting
IT	Il fabbricante, dichiara che il tipo di apparecchiatura radio è conforme alla direttiva 2014/53/UE. Il testo completo della dichiarazione di conformità UE è disponibile al seguente indirizzo Internet: http://www.philips.com/lighting
DE	Hiermit erklärt dass der Funkanlagentyp der Richtlinie 2014/53/EU entspricht. Der vollständige Text der EU-Konformitätserklärung ist unter der folgenden Internetadresse verfügbar: http://www.philips.com/lighting
DA	Hermed erklærer, at radioudstyrstypen er i overensstemmelse med direktiv 2014/53/EU. EU-overensstemmelseserklæringens fulde tekst kan findes på følgende internetadresse: http://www.philips.com/lighting
NL	Hierbij verklaar ik, dat het type radioapparatuur conform is met Richtlijn 2014/53/EU. De volledige tekst van de EU-conformiteitsverklaring kan worden geraadpleegd op het volgende internetadres: http://www.philips.com/lighting
PL	niniejszym oświadczam, że typ urządzenia radiowego jest zgodny z dyrektywą 2014/53/UE. Pełny tekst deklaracji zgodności UE jest dostępny pod następującym adresem internetowym: http://www.philips.com/lighting
HU	igazolja, hogy a típusú rádióberendezés megfelel a 2014/53/EU irányelvnek. Az EU-megfelelőségi nyilatkozat teljes szövege elérhető a következő internetes címen: http://www.philips.com/lighting
CS	Tímto prohlašuje, že typ rádiového zařízení je v souladu se směrnicí 2014/53/EU. Úplné znění EU prohlášení o shodě je k dispozici na této internetové adrese: http://www.philips.com/lighting
SL	potrjuje, da je tip radijske opreme skladen z Direktivo 2014/53/EU. Celotno besedilo izjave EU o skladnosti je na voljo na naslednjem spletnem naslovu: http://www.philips.com/lighting
LV	Ar šo deklarē, ka radioiekārta atbilst Direktīvai 2014/53/ES. Pilns ES atbilstības deklarācijas teksts ir pieejams šādā interneta vietnē: http://www.philips.com/lighting
LT	Aš, patvirtinu, kad radijo įrenginių tipas atitinka Direktyvą 2014/53/ES. Visas ES atitikties deklaracijos tekstas prieinamas šiuo interneto adresu: http://www.philips.com/lighting
PT	O abaixo assinado declara que o presente tipo de equipamento de rádio está em conformidade com a Diretiva 2014/53/UE. O texto integral da declaração de conformidade está disponível no seguinte endereço de Internet: http://www.philips.com/lighting
SV	Härmed försäkras att denna typ av radioutrustning överensstämmer med direktiv 2014/53/EU. Den fullständiga texten till EU-försäkran om överensstämmelse finns på följande webbadress: http://www.philips.com/lighting
EE	Käesolevaga deklareerime, et raadioseadme tüüp vastab direktiivile 2014/53 /EU. Vastavusdeklaratsiooni täielik tekst on saadaval järgmisel Interneti-aadressil: http://www.philips.com/lighting

01/2020

Signify

I.B.R.S. / C.C.R.I. Numero 10461

5600 VB Eindhoven, the Netherlands

00800-74454775





- GB SR compatibility** - For SR-based luminaires only SR-Certified components/sensors are to be used (see also: <http://www.lighting.philips.co.uk/oem-emea/products/driving-connected-lighting>). The functional compatibility of two (SR-certified) components/sensors to be used in combination, as well as the override possibility of any line-switch function used in an SR-based luminaire, is to be released by the master component/sensor supplier. If using a NEMA 7-pin socket on an SR-based luminaire, a full system verification is required. Not following this advice can/will cause risk of damage and non-compliance for which Signify cannot take any responsibility.
- SP Compatibilidad con SR** - Con las luminarias basadas en SR solo deben utilizarse componentes/sensores con la certificación SR (vea también: <http://www.lighting.philips.co.uk/oem-emea/products/driving-connected-lighting>). La compatibilidad funcional de 2 componentes/sensores (con certificación SR) que vayan a utilizarse en combinación, así como la posibilidad de anulación de cualquier función lineswitch utilizada en una luminaria basada en SR debe ser especificada por el proveedor del componente/sensor maestro. Para usar el terminal de 7 patillas NEMA en una luminaria basada en SR se requiere una verificación completa del sistema. No seguir estos consejos puede provocar o provocará un riesgo de datos e incumplimiento del que Signify no puede hacerse responsable.
- PT Compatibilidade SR** - As luminárias baseadas em SR são apenas compatíveis com a utilização de componentes/sensores com certificação SR (ver também: <http://www.lighting.philips.co.uk/oem-emea/products/driving-connected-lighting>). A compatibilidade funcional de 2 componentes/sensores (com certificação SR) a serem utilizados em conjunto, bem como a possibilidade de sobreposição de qualquer função LineSwitch utilizada numa luminária baseada em SR deverão ser disponibilizadas pelo fornecedor do componente/sensor principal. É necessário proceder a uma verificação integral do sistema para utilizar uma tomada NEMA de 7 pinos com uma luminária baseada em SR. O incumprimento destas recomendações poderá/irá originar o risco de danos e inconformidades relativamente aos quais a Signify não poderá assumir qualquer responsabilidade.
- DE System Ready kompatibel** - Für SR-basierte Leuchten dürfen nur SR-zertifizierte Komponenten/Sensoren verwendet werden (siehe auch: <http://www.lighting.philips.co.uk/oem-emea/products/driving-connected-lighting>). Funktionale Kompatibilität von 2 (SR-zertifizierten) Komponenten/Sensoren zur Verwendung in Kombination oder als Umgehungsmöglichkeit für Leitungsschaltungsfunktionen in einer SR-basierten Leuchte, freizugeben vom Lieferanten der Master-Komponente (Sensor). Zur Verwendung des NEMA 7 Pin-Socket an einer SR-basierten Leuchte ist eine vollständige Systemverifizierung erforderlich. Die Nichteinhaltung dieser Vorgaben kann zu Beschädigungen oder der Nichteinhaltung von Bestimmungen führen, für die Signify keinerlei Verantwortung übernehmen kann.
- FR Compatibilité SR** - Pour les luminaires qui reposent sur la technologie SR, seuls les composants/capteurs certifiés SR peuvent être utilisés (voir aussi : <http://www.lighting.philips.co.uk/oem-emea/products/driving-connected-lighting>). La compatibilité fonctionnelle de 2 composants/capteurs (certifiés SR) à utiliser ensemble ainsi que la possibilité de forçage de toute fonction d'interrupteur de ligne utilisée dans un luminaire reposant sur la technologie SR doivent être rendues possibles par le fournisseur original de composants/capteurs. Pour l'utilisation de la prise NEMA 7 broches sur un luminaire reposant sur la technologie SR, une vérification complète du système est requise. Ne pas suivre ces conseils peut/peut entraîner des risques de dommages et de non-conformité pour lesquels Signify ne peut être tenue pour responsable.
- IT Compatibilità SR** - Negli apparecchi in versione SR devono essere utilizzati solo componenti/sensori certificati SR (consulta anche: <http://www.lighting.philips.co.uk/oem-emea/products/driving-connected-lighting>). La compatibilità funzionale di 2 componenti/sensori (certificati SR) da utilizzare in combinazione e la possibilità di comandare la funzione lineswitch di un apparecchio di illuminazione SR, deve essere rilasciata dal fornitore del componente principale/sensore. Per utilizzare l'attacco NEMA 7pin su un apparecchio d'illuminazione SR sono necessarie delle verifiche. La mancata verifica può causare danni per non conformità per i quali Signify non si assume alcuna responsabilità.
- NL SR-compatibiliteit** - Voor SR-geschikte armaturen dienen alleen SR-gecertificeerde componenten en/of sensoren te worden gebruikt (zie ook: <http://www.lighting.philips.co.uk/oem-emea/products/driving-connected-lighting>). Functionele compatibiliteit van twee SR-gecertificeerde componenten en/of sensoren die in combinatie worden gebruikt, evenals overbruggingsmogelijkheid van een eventuele LineSwitch-functie die wordt gebruikt in een SR-geschikte armatuur, dient te worden vrijgegeven door de leverancier van de hoofdcomponent/sensor. Bij gebruik van de NEMA 7 pins aansluitbus op een SR-geschikte armatuur is een volledige systeemverificatie vereist. Het niet opvolgen van deze adviezen of het niet voldoen aan de systeemvereisten geeft risico op schade waarvoor Signify geen enkele verantwoordelijkheid kan nemen.
- DK SR-kompatibilitet** - Til SR-baserede lysarmaturer må der kun anvendes SR-certificerede komponenter/sensorer (se også: <http://www.lighting.philips.co.uk/oem-emea/products/driving-connected-lighting>). Den funktionelle kompatibilitet af 2 (SR-certificerede) komponenter/sensorer, der skal bruges i kombination med hinanden samt muligheden for tilsidesættelse af enhver LineSwitch-funktion, der bruges i et SR-baseret armatur, skal frigives af leverandøren af masterkomponent/sensor. Til brug af en 7-benet NEMA-fatning på et SR-baseret armatur kræves der en fuld systemverificering. Hvis disse råd ikke følges, kan/vil det medføre en risiko for beskadigelse og manglende overholdelse, hvilket Signify ikke kan påtage sig ansvaret for.
- SE SR-kompatibilitet** - Enbart SR-certificerade komponenter och sensorer ska användas i SR-baserade armaturer (se även: <http://www.lighting.philips.co.uk/oem-emea/products/driving-connected-lighting>). Kompatibilitet mellan två (SR-certificerade) komponenter/sensorer som ska användas tillsammans och möjlighet att åsidosätta alla LineSwitch-funktioner som används i en SR-baserad armatur kommer att släppas på marknaden av masterkomponentens/sensorns leverantör. För användning av NEMA 7-stiftsuttag på en SR-baserad armatur krävs en fullständig systemverifiering. Att inte följa dessa anvisningar medför risk för skada och innebär bristande efterlevnad som Signify inte tar något ansvar för.
- NO SR-kompatibilitet** - For SR-baserte armaturer skal bare SR-sertifiserte komponenter/sensorer brukes (se også: <http://www.lighting.philips.co.uk/oem-emea/products/driving-connected-lighting>). Funksjonell kompatibilitet av 2 (SR-sertifiserte) komponenter/sensorer som kan brukes i kombinasjon, samt overstyringsmulighet for en hvilken som helst linjeskiftfunksjon som brukes i en SR-basert lysarmatur, skal frigjøres av hovedkomponent/sensorleverandør. For bruk av NEMA 7-pinner kontakt på en SR-basert lysarmatur er det nødvendig med en fullstendig systemverifisering. Det å ikke følge disse anbefalingene kan/vil medføre risiko for skade og manglende overholdelse som Signify ikke kan ta ansvar for.
- FI SR-yhteensopivuus** - SR-valaisimissa tulee käyttää vain SR-sertifioituja komponentteja ja tunnistimia (saat lisätietoja osoitteesta <http://www.lighting.philips.co.uk/oem-emea/products/driving-connected-lighting>). Kahden käytettävän (SR-sertifioidun) komponentin/tunnistimen toimintojen yhteensopivuuden sekä SR-valaisimen kanssa käytettävän minkä tahansa linjakytintoiminnon ohitusmahdollisuuden vapauttaa komponenttien/tunnistimien päätoimittaja. Jos haluat käyttää seitsemipikkistä NEMA-liitäntää SR-valaisimessa, järjestelmä on tarkistettava ja vahvistettava täysin. Jos et noudata tätä ohjetta, valaisin saattaa vaurioitua ja sen vaatimustenmukaisuus saattaa joutua kyseenalaiseksi. Signify ei ole tästä millään tavalla vastuussa.
- HU SR-kompatibilitás** - Az SR-alapú világítótestekkel csak SR-tanúsítású alkatrészek és érzékelők használhatók (lásd még: <http://www.lighting.philips.co.uk/oem-emea/products/driving-connected-lighting>). Két funkcionális kompatibilis (SR-tanúsítású) alkatrész, érzékelő illetve SR-alapú világítótestbe beszerelt vezérelhető hálózatlalali leválasztó kapcsoló csak akkor használható együtt, ha azok közös használatát a fő vezérlőelem (szenzor) gyártója jóváhagyta. 7-pólusú NEMA csatlakozójelzőt tartalmazó SR-alapú világítótest használata esetén a rendszer teljes működését ellenőrizni kell. Ezen tanácsok be nem tartása árokat és nem megfelelőséget okozhat, amiért a Signify nem vállal felelősséget.
- PL Zgodność z SR** - W przypadku oprav osvětleniových opartych na SR možna stosovať výlučne części/czujniki z certyfikatem SR (patrz również: <http://www.lighting.philips.co.uk/oem-emea/products/driving-connected-lighting>). Zgodność funkcjonalna dwóch części/czujników (z certyfikatem SR) stosowanych w połączeniu lub w zastępstwie dowolnej funkcji wyłącznika w oprawach opartych na SR musi być zapewniona przez dostawcę elementu nadrzędnego. Przed zastosowaniem 7-stykowego gniazda NEMA w oprawie osvětleniowej opartej na SR wymagana jest pełna weryfikacja systemu. Nieprzestrzeganie tych zaleceń jest równoznaczne z ryzykiem uszkodzenia i naruszeniem zasad użytkowania, za które firma Signify nie ponosi odpowiedzialności.



- RO **Compatibilitate SR** - Pentru corpurile de iluminat bazate pe SR, trebuie să se utilizeze numai componentele/senzorii cu certificare SR (consultați, de asemenea: <http://www.lighting.philips.co.uk/oem-emea/products/driving-connected-lighting>). Compatibilitate funcțională a 2 componente/senzorii (cu certificare SR) care trebuie să fie utilizați în asociere, precum și posibilitate de a anula orice funcție lineswitch utilizată într-un corp de iluminat bazat pe SR, lucru care trebuie autorizat de furnizorul componentei/senzorului principal. Pentru utilizarea soclului cu 7 pini NEMA la un corp de iluminat bazat pe SR, este necesară o verificare completă a sistemului. Nerespectarea acestor recomandări poate duce la/la cauza risc de avarie și neconformitate, pentru care Signify nu își poate asuma nicio responsabilitate.
- CZ **Kompatibilita s SR** - U svítidel SR se používají pouze SR certifikované součásti/snímače (viz též <http://www.lighting.philips.co.uk/oem-emea/products/driving-connected-lighting>). Funkční kompatibilitu dvou součástí nebo snímačů (s certifikací SR) při použití v kombinaci a možnost potlačení funkce LineSwitch, používaných u svítidel SR, musí posoudit dodavatel hlavní součásti nebo snímače. Pro použití 7kolíkové zásuvky NEMA na svítidle s certifikací SR je vyžadováno úplné ověření systému. Nedodržení těchto doporučení může způsobit poškození a nesoulad, za něž Signify nenese žádnou odpovědnost.
- TR **SR uyumluluğu** - SR tabanlı aydınlatma armatürleri için yalnızca SR sertifikalı bileşenler/sensörler kullanılmalıdır (ayrıca bkz. <http://www.lighting.philips.co.uk/oem-emea/products/driving-connected-lighting>). Birlikte kullanılacak 2 (SR sertifikalı) bileşen/sensörün işlevsel uyumluluğu ve SR tabanlı aydınlatma armatüründe kullanılan herhangi bir lineswitch işlevinin geçersiz kılınma olasılığı, ana bileşen/sensör tedarikçisi tarafından sağlanacaktır. SR tabanlı aydınlatma armatüründe NEMA 7 pimli soketin kullanılması için tam sistem doğrulaması gereklidir. Bu tavsiyelere uymamak, Signify'in sorumlu tutulamayacağı hasar riskine ve uyumsuzluğa neden olabilir.
- SK **Kompatibilita SR** - Pri svietidlách založených na SR sa smú používať len SR certifikované komponenty/snímače (pozri tiež: <http://www.lighting.philips.co.uk/oem-emea/products/driving-connected-lighting>). Funkčnú kompatibilitu 2 (SR certifikovaných) komponentov/snímačov na použitie v kombinácii, ako aj možnosť zrušenia funkcie spínača použitej v svietidle založenom na SR, má zabezpečiť dodávateľ hlavného komponentu/snímača. Pri použití 7-kolíkovkej objímky NEMA v svietidle založenom na SR sa vyžaduje overenie celého systému. Nedodržanie týchto pokynov môže spôsobiť/spôsobí poškodenie a nesúlad, za ktoré spoločnosť Signify nemôže niesť zodpovednosť.
- GR **Συμβατότητα SR** - Για τα φωτιστικά που βασίζονται στο SR, πρέπει να χρησιμοποιούνται μόνο εξαρτήματα/αισθητήρες με πιστοποίηση SR (δείτε επίσης: <http://www.lighting.philips.co.uk/oem-emea/products/driving-connected-lighting>). Η λειτουργική συμβατότητα 2 εξαρτημάτων/αισθητήρων (με πιστοποίηση SR) που θα χρησιμοποιηθούν σε συνδυασμό, καθώς και η δυνατότητα παράκαμψης οποιασδήποτε λειτουργίας lineswitch που χρησιμοποιείται σε ένα φωτιστικό που βασίζεται στο SR, θα πρέπει να κοινοποιηθεί από τον προμηθευτή του κύριου εξαρτήματος/αισθητήρα. Για τη χρήση υποδοχής NEMA 7 ακίδων σε φωτιστικό που βασίζεται στο SR, απαιτείται πλήρης επαλήθευση συστήματος. Αν δεν ληφθούν υπόψη αυτές οι συμβουλές, μπορεί να/θα προκληθεί κίνδυνος ζημιάς και μη συμμόρφωσης, για τα οποία η Signify δεν μπορεί να αναλάβει καμία ευθύνη.
- RS **Совместимость с технологией SR** - Светильники на основе технологии SR совместимы только с компонентами/датчиками, сертифицированными для использования с технологией SR (см. также: <http://www.lighting.philips.co.uk/oem-emea/products/driving-connected-lighting>). Функциональная совместимость используемых в сочетании 2 компонентов/датчиков (сертифицированных для использования с технологией SR), а также возможность переопределяющего управления любой функцией уменьшения яркости LineSwitch при использовании светильника на основе технологии SR определяется поставщиком основного компонента/датчика. Для использования 7-контактного гнезда NEMA на светильнике на основе технологии SR требуется полная проверка системы. Несоблюдение этих рекомендаций с высокой вероятностью может привести к возможным повреждениям и несоответствию системы спецификациям, за которые компания Signify не несет какой-либо ответственности.
- BG **Съвместимост и функционална готовност за свързване към система за управление /SR compatibility/-** За осветителните тела с вградена функционална готовност за свързване към система за управление трябва да се използват само компоненти сертифицирани за тази цел (моля вижте следния линк : <http://www.lighting.philips.co.uk/oem-emea/products/driving-connected-lighting>). Функционалната съвместимост на два сертифицирани за използване в осветителните тела с вградена готовност за свързване към система за управление, (SR certified) компонента/сензора, които се използват в комбинация, както и възможността за използване на пълната функционалност на предварително готови за свързване към система за управление /SR based/ осветителни тела трябва да бъде осигурена от доставчика на съответния компонент/сензор. Ако се използва конектор NEMA със 7 щифта на осветителните тела с предварителна функционална готовност за свързване към система за управление /SR based/ трябва да се направи проверка на съвместимостта на цялата система и нейните съставни компоненти. Неспазването на този съвет може/ще доведе до риск от повреда и несъответствие, за което Сигнифай Интернешънъл не носи отговорност.
- HR **SR kompatibilnost** – Za SR pripremljene svjetiljke, samo SR certificirane komponente/senzori smiju biti korišteni (detaljno dostupno na: <http://www.lighting.philips.co.uk/oem-emea/products/driving-connected-lighting>). Funkcionalna kompatibilnost dvaju (SR certificiranih) komponenti/senzora za korištenje u kombinaciji, kao i mogućnosti prisilnog preklopa funkcija preklapanja mreže korištenog u SR pripremljenim svjetiljkama treba biti potvrđena od strane dobavljača master odnosno senzor SR komponenti. U slučaju korištenja NEMA 7-pin konektora na SR pripremljenim svjetiljkama, potrebna je cjelovita sistemaska verifikacija te kombinacije prije korištenja. Nepoštivanje ovog savjeta će stvarno ili potencijalno uzrokovati rizik kvara ili nepravilnog funkcioniranja sistema za koje Signify ne može preuzeti odgovornost.
- LT **SR (system ready) suderinamumas** – Šviestuvuose su SR galima naudoti tik SR sertifikuotus komponentus / jutiklius (taip pat žiūrėkite: <http://www.lighting.philips.co.uk/oem-emea/products/driving-connected-lighting>). Komponentų / jutiklių tiekėjas turi užtikrinti tinkamą dviejų (SR sertifikuotų) komponentų / jutiklių, kurie bus naudojami kartu, funkcinį suderinamumą, taip pat galimybę panaikinti bet kurią linijinio perjungimo funkciją, naudojamą šviestuve su SR. Jei SR šviestuve naudojamas NEMA 7 kontaktų lizdas, būtina papildomai atlikti visos sistemos patikrą. Šių nurodymų nesilaikymas gali įtakoti sugadinimą ir nesuderinamumą/neveikimą, už kuriuos „Signify“ nepriima jokios atsakomybės.
- LV **SR saderība** – Gaismekļiem uz SR bāzes ir izmantojami tikai SR sertificēti komponenti/sensori (skatīt arī: <http://www.lighting.philips.co.uk/oem-emea/products/driving-connected-lighting>). Funkcionāla saderība starp diviem (SR sertificētiem) komponentiem/sensoriem, kurus izmantos kopā, kā arī, ignorēšanas iespējas jebkuras līnijas pārlēgšanas funkcijas, kas tiks izmantotas SR bāzes gaismekļos, ir jāsniedz galvenā komponenta / sensora piegādātājam. Ja izmanto NEMA 7 – pin ligzdu kopā ar SR bazēto gaismekli, verifikācija ir obligāta visai sistēmai. Šī ieteikuma neievērošana var radīt / radīs kaitējuma un neatbilstības risku, par kuru Signify nevar uzņemties nekādu atbildību.
- EE **SR ühilduvus** – SR-põhiste valgustite puhul tuleb kasutada ainult SR-sertifikaadiga komponente/andureid (vt ka: <http://www.lighting.philips.co.uk/oem-emea/products/driving-connected-lighting>). SR-sertifitseeritud seadme/anduri tarnija peab lubama ja vastutama kahe kombineeritud SR seadme/anduri funktsionaalse ühilduvuse ja juhtsoone (Lineswitch) funktsiooni kasutamisel seadete alistamise SR valmidusega valgustis. Kui kasutate SR-põhisel valgustil NEMA 7-pin pistikut, on vajalik süsteemi vastavuse täielik kontroll. Selle nõude mittejärgimine võib põhjustada kahju tekkimist ja mittevastavust, mille eest Signify ei vastuta.
- SI **Združljivost s SR** – Za svetilke, ki temeljijo na SR, se smejo uporabiti samo certificirane SR komponente / senzori, (glejte tudi: <http://www.lighting.philips.co.uk/oem-emea/products/driving-connected-lighting>). Funkcionalno združljivost komponent / senzorjev, ki jih je treba uporabiti v kombinaciji, kot tudi možnost preglasovanja katere koli funkcije linijskega stikala, mora sprostiti glavni dobavitelj komponent / senzorjev. Če uporabljate 7-pin vtičnico NEMA v svetilki, ki temelji na SR, je potrebna celovita verifikacija sistema. Neupoštevanje teh navodil lahko povzroči škodo in neskladnosti, za kar podjetje Signify ne prevzema nobene odgovornosti.

	GB - Disconnect before servicing	DK - Frakobl, før service	IT - Togliere tensione prima di fare manutenzione
	FR - Mettre hors tension avant intervention	NO - Koble fra før service	ES - Desconectar antes de manipular
	DE - Öffnen nur spannungsfrei	FI - Irrota pistoke ennen huolto	SE - Bryt strömmen före lampbyte
	NL - Stroom afsluiten voor onderhoud	CZ - Před servisem se odpojte	SK - Odpojit pred údržbou
	LT - Pirms apkopės atvienojiet nuo elektrinės	TR - Servis yapmadan önce bağlanmayı kesin	SI - Pred servisiranjem izključite svetilko
	EE - Katkesta elektritoide enne valgusti hooldust/remont	HR - Prije servisiranja isključite	HU - Karbantartás előtt húzza ki a csatlakozót
	PT - Desconecte antes de fazer a manutenção	GR - Αποσυνδέστε πριν από τη συντήρηση	PL - Odłącz przed serwisowaniem
		BG - Изключете преди сервис	RO - Deconectați-vă înainte de întreținere
		RU - Отключите перед обслуживанием	
		LV - Pirms apkopes atvienojiet to	

GB	Luminaire has basic insulation between Low Voltage supply and control conductors.	SE	Armaturen har enkelisolering mellan lågvoltförsörjningen och styrelledningarna.	GR	Το φωτιστικό διαθέτει βασική μόνωση μεταξύ της χαμηλής τάσης τροφοδοσίας και των αγώγων ελέγχου.
ES	La luminaria tiene un aislamiento básico entre la alimentación de baja tensión y los cables de la señal de control.	NO	Armaturet har enkelisolering mellom lavvoltforsyningen og styreledningene.	CZ	Ve svítidle je mezi vodiči napájení a řízení základní izolace.
PT	A luminária tem um isolamento básico entre a alimentação de baixa tensão e os cabos de sinal de controlo.	FI	Valaisimessa on peruseristys syöttöjännitteen ja ohjausohjotmien välillä.	TR	Armatür, Alçak Gerilim beslemesi ile kontrol iletkenleri arasında temel izolasyona sahiptir
DE	Die Leuchte verfügt über eine einfachen Isolation zwischen der Niederspannungsversorgung und den Steuerleitungen .	HU	A lámpatest kifesztésű és szabályozó bemenetei galvanikusan el vannak választva.	SK	Svietidlo má základnú izoláciu medzi vodičmi zdroja nízkeho napätia a riadiacimi vodičmi.
FR	Le luminaire comporte une isolation de base entre l'alimentation basse tension et les câbles de contrôle.	RO	Corpul de iluminat dispune de izolație de bază între sistemul de alimentare de joasă și conductorii de control.	LT	Šviestuvos turi elementarią izoliaciją tarp žemos įtampos maitinimo ir valdymo laidų.
IT	Il grado di isolamento tra il conduttore di alimentazione ed il conduttore di segnale è básico.	BG	Осветителното тяло има основна изолация между захранването ниско напрежение и контролните проводници.	LV	Gaismeklim ir pamata izolācija starp zemsprieguma barošanas un vadības aprīkojuma.
NL	Armatuur heeft een basisisolatie tussen laagspannings-voeding en controle bedrading.	RU	Светильник обладает базовой электроизоляцией между низковольтным блоком питания и управляющими проводниками.	EE	Valgustil on põhiisolatsioon madalpinge toite ja juhtimiseadmete vahel.
DK	Armaturet har enkelisolering mellem lavvoltforsyningen og styreledningerne.	PL	Oprawa posiada podstawową izolację pomiędzy modulem zasilania niskonapięciowego i przewodami sterującymi.	SI	Svetilka ima osnovno izolacijo med nizkonapetostnimi napajalnimi in regulacijskimi vodniki.
GR	The control gear and/or the external flexible cable contained in this luminaire shall only be replaced by the manufacturer or his service agent or a similar qualified person. The light source contained in this luminaire is not replaceable, in case of damage replace the luminaire.	RO	Aparatul și / sau cablul flexibil extern conținut în acest aparat de iluminat trebuie înlocuit numai de producător sau de agentul de service sau de o persoană similară calificată. Sursa de lumină conținută în acest aparat de iluminat nu poate fi înlocuită, în caz de deteriorare înlocuiți aparatul de iluminat.	HR	Svetiljka ima osnovnu izolaciju između napajanja i upravljačkih konektora.
ES	El driver o el cable flexible contenido en la luminaria solo podrá ser sustituido por el fabricante o su agente de servicio o por una persona cualificada. La fuente de luz contenida en esta luminaria no es reemplazable, en caso de defecto se reemplazará la luminaria.	HU	A lámpatestben található működtető szerelvényt és/vagy a külső rugalmas kábelt csak a gyártó, a gyártóval szerződött cég vagy megfelelő képesítéssel rendelkező szakember cserélheti ki. A fényforrás ebben a lámpatestben nem cserélhető, meghibásodás esetén cserélje a teljes lámpatestet.	TR	Bu armatürde bulunan kontrol tertibatı ve / veya harici esnek kablo yalnızca imalatçı veya onun servis temsilcisi veya benzer bir kalifiye kişi tarafından değiştirilmelidir. Bu armatürde bulunan ışık kaynağı değiştirilemez, hasar olması durumunda armatürü değiştiriniz.
PT	O equipamento de controlo e/ou o cabo externo flexível nesta luminária só devem ser substituídos pelo fabricante ou pelo seu agente de serviço ou por pessoa qualificada para tal. A fonte de luz nesta luminária não é substituível, em caso de avaria, substitua a luminária.	HR	Predspojna naprava i / ili vanjski fleksibilni napojni kabel sadržan u ovoj svjetiljci smije zamijeniti samo proizvođač, ovlaštenu osobu ili adekvatna stručno osposobljena i ovlaštena osoba. Izvor svjetlosti sadržan u ovoj svjetiljci nije zamjenjiv, u slučaju njegovog kvara, zamijeniti cijelu svjetiljku.	GR	Το όργανο έναυσης/ελέγχου ή/και το εξωτερικό εύκαμπτο καλώδιο που περιέχεται σε αυτό το φωτιστικό πρέπει να αντικαθίστανται μόνο από τον κατασκευαστή ή τον αντιπρόσωπο σέρβις ή παρόμοιο ειδικευμένο πρόσωπο. Η φωτεινή πηγή που περιέχεται σε αυτό το φωτιστικό δεν μπορεί να αντικατασταθεί, σε περίπτωση βλάβης αντικαταστήστε το φωτιστικό.
DE	Das in der Leuchte enthaltene Betriebsgerät und/oder das externe flexible Anschlusskabel dürfen nur vom Hersteller oder seinem Kundendienst oder einer ähnlich qualifizierten Person ausgetauscht werden. Die in dieser Leuchte enthaltene Lichtquelle ist nicht austauschbar, tauschen Sie im Schadensfall die Leuchte aus.	BG	Пусково-регулирущата апаратура и / или външният гъвкав кабел, съдържащ се в това осветително тяло, трябва да бъдат заменени само от производителя или неговия оторизиран сервиз или подобно квалифицирано лице. Източникът на светлина, съдържащ се в това осветително тяло, не е заменяем, в случай на повреда заменете цялото осветителното тяло.	SK	Predradník a/alebo externý flexibilný kábel obsiahnutý v tomto svietidle môže byť vymenený len výrobcom alebo servisným partnerom alebo inou podobne kvalifikovanou osobou. Svetelný zdroj obsiahnutý v tomto svietidle nie je vymeniteľný, v prípade poškodenia vymeňte svietidlo.
FR	Le contrôleur de courant et/ou le câble souple d'alimentation contenus dans ce luminaire ne doivent être remplacés que par le fabricant, un de ses agents ou une personne qualifiée. La source lumineuse de ce luminaire n'est pas remplaçable, changez le produit en cas de défaut.	RU	ПРА и / или внешний гибкий кабель, содержащиеся в этом светильнике, могут быть заменены только производителем, его агентом по обслуживанию или аналогичным квалифицированным лицом. Источник света, содержащийся в этом светильнике, не подлежит замене, в случае повреждения замените светильник.	LT	Valdymo įrenginys ir/arba išorinis lankstus kabelis esantis šiame šviestuve gali būti pakeistas tik gamintojo arba jo aptarnavimo agento ar tai atitinkancio kvalifikuoto asmens. Esantis šiame šviestuve šviesos šaltinis nėra keičiamas, jam sugedus keičiamas šviestuvos.
IT	Il dispositivo di controllo e/o il cavo flessibile esterno contenuti in questo apparecchio di illuminazione sono sostituiti solo dal costruttore, dal suo agente di servizio o da una persona qualificata analoga. La sorgente luminosa contenuta in questo apparecchio non è sostituibile, in caso di danni sostituire l'intero apparecchio di illuminazione.	SK	Predradník a/alebo externý flexibilný kábel obsiahnutý v tomto svietidle môže byť vymenený len výrobcom alebo servisným partnerom alebo inou podobne kvalifikovanou osobou. Svetelný zdroj obsiahnutý v tomto svietidle nie je vymeniteľný, v prípade poškodenia vymeňte svietidlo.	LV	Šajā gaismeklī esošo vadības ierīci un / vai ārējo elastīgo kabeli drīkst nomainīt tikai ražotājs vai viņa servisa pārstāvis vai līdzīga kvalificēta persona. Šajā gaismeklī esošais gaismas avots nav nomaināms, bojājuma gadījumā nomainiet gaismekli.
NL	De voorschakelapparatuur en/of de flexibele voedingskabel van dit armatuur mag alleen vervangen worden door de fabrikant of haar service dealer of een vergelijkbaar gekwalificeerd persoon. De lichtbron van dit armatuur is niet vervangbaar, in geval van defect dient het armatuur vervangen te worden.	EE	Selles valgustis sisalduva juhtseadme ja/või välise painduva kaabli võib välja vahetada ainult tootja, vastav hoolduspetsialist või muu sarnane kvalifitseeritud isik. Selles valgustis sisalduvat valgusalikkat ei saa vahetada, kahjustuste korral vahetage välja valgusti.	SI	Napajalnik in / ali zunanji prilagodljivi kabel, ki ga vsebuje ta svetilka, lahko zamenja samo proizvajalec ali njegov servis ali podobna usposobljena oseba. Vir svetlobe, ki ga vsebuje ta svetilka, ni zamenljiv, v primeru poškodbe svetilko zamenjajte.
DK	Driver og/eller eksterne kabler indeholdt i dette armatur må kun udskiftes af producenten eller hans service partner eller lignende kvalificeret person. Lyskilden indeholdt i dette armatur er ikke udskiftelig. I tilfælde af skade skift hele armaturet.	PL	Źródło światła i/lub zasilacz i/lub zewnętrzny przewód zasilający, który jest w sprawie powinien być wymieniony przez producenta lub jego serwisanta lub kwalifikowany personel. Źródło światła w tej oprawie nie jest wymienne, w przypadku jego uszkodzenia należy wymienić oprawę.		
SE	Styrsystemet och/eller den externa kabeln i denna armatur får endast bytas ut av tillverkaren eller en kvalificerad person. Ljuskällan är inte utbytbar. Vid skada ska därför hela armaturen bytas ut.				
NO	Driveren og/eller den eksterne kabelen i dette armaturet skal bare erstattes av produsenten eller dens service agent eller tilsvarende kvalifisert person. Lyskilden i dette armaturet er ikke mulig å erstatte, hvis den er ødelagt må armaturet byttes ut.				
CZ	Napájecí zdroj (předradník) a/nebo flexibilní napájecí kabel obsažený v tomto svítidle smí vyměňovat pouze výrobce nebo jeho servisní technik nebo obdobně kvalifikovaná osoba. Světelný zdroj obsažený v tomto svítidle není vyměnitelný, v případě poškození vyměňte celé svítidlo.				
FI	Tämän valaisimen liitäntälaitte ja/tai ulkoinen kaapeli saadaan vaihtaa vain valmistajan tai tämän valtuuttaman huoltoedustajan tai vastaavan pätevän henkilön toimesta. Tässä valaisimessa oleva valonlähde ei ole vaihdettavissa, vaihda valaisin LED-komponentin vikaantuessa.				

- GB Storage, installation, use, operation and maintenance of the products needs to be performed exactly according the instructions in this manual and/or other instructions as may be provided by us to guarantee safe use of the product over its entire lifetime. Failure to adhere to these instructions will invalidate your entitlement to warranty. Bolts with indication of torque strength on the drawing need to be tightened using a calibrated torque wrench. Pre-assembled bolts need to be retightened again to the required torque specification to assure maximum strength over lifetime.
- ES El almacenamiento, instalación, uso, funcionamiento y mantenimiento de este producto debe realizarse exactamente según las instrucciones de este manual, así como otras instrucciones que le proporcionemos con el fin de garantizar un uso seguro del producto durante toda su vida útil. Si no se cumplen estas instrucciones, la garantía quedará anulada. Los tornillos con indicación de par de apriete en el dibujo, deben apretarse con una llave dinamométrica calibrada. Los tornillos del acoplamiento premontados deben reapretarse de nuevo con la especificación de par de apriete necesaria para garantizar una solidez máxima durante toda la vida útil de la luminaria.
- PT Para garantir uma utilização segura do produto durante a respetiva vida útil, o armazenamento, a instalação, a utilização, a operação e a manutenção dos produtos tem de ser efetuados exatamente de acordo com as instruções neste manual e/ou com outras instruções que possam ser fornecidas por nós. O incumprimento destas instruções irá invalidar o direito a garantia. Os parafusos com indicação do torque no esquema tem de ser apertados utilizando uma chave dinamométrica calibrada. Os parafusos pré-montados tem de ser novamente apertados de acordo com a especificação de torque necessário para garantir uma resistência máxima durante a vida útil.
- DE Lagerung, Installation, Verwendung, Betrieb und Wartung der Produkte müssen genau nach den Anweisungen in dieser Anleitung und/oder anderen von uns zur Verfügung gestellten Anweisungen erfolgen, um eine sichere Verwendung des Produkts über seine gesamte Lebensdauer zu gewährleisten. Bei Nichtbeachtung dieser Hinweise erlischt Ihr Anspruch auf Gewährleistung. Schrauben mit Angabe der Drehmomente auf der Zeichnung müssen mit einem kalibrierten Drehmomentschlüssel angezogen werden. Vormontierte Schrauben müssen mit dem angegebenen Drehmoment nachgezogen werden, um eine maximale Festigkeit über die gesamte Lebensdauer zu gewährleisten.
- FR Le stockage, l'installation, l'utilisation et la maintenance des produits doivent être effectués conformément aux instructions de ce manuel et / ou d'autres instructions que nous fournissons afin de garantir une utilisation sûre du produit pendant toute sa durée de vie. Le non-respect de ces instructions invalidera votre droit à la garantie. Les vis, dont les couples de serrage sont indiqués sur les schémas, doivent être serrés à l'aide d'une clé dynamométrique étalonnée. Les vis pré-assemblées doivent être resserrés à nouveau selon la spécification de couple de serrage requis afin d'assurer leur résistance maximale pendant toute leur durée de vie.
- IT Le stock, l'installazione, l'uso, il funzionamento e la manutenzione dei prodotti devono essere eseguiti esattamente in base alle istruzioni contenute nel presente manuale e / o in altra documentazione fornita da noi per garantire la sicurezza del prodotto per l'intera durata del suo utilizzo. La mancata osservanza di queste istruzioni annullerà la garanzia. I bulloni, con indicazione sull'intensità della coppia serraggio sul disegno devono essere serrati utilizzando una chiave dinamometrica calibrata. I bulloni pre-assemblati devono essere riserrati nuovamente secondo le specifiche di coppia richieste per assicurare la massima resistenza per tutta la durata.
- NL Om een veilig gebruik van dit product gedurende zijn hele levensduur te garanderen, dient het opslaan, installeren, gebruiken, bedienen en onderhouden ervan exact te worden uitgevoerd in overeenstemming met de instructies in deze handleiding en/of andere door ons geleverde instructies. Niet opvolgen van deze instructies maakt uw garantieclaims ongeldig. Bouten waarvan in de tekening het aanhaalkoppel is vermeld, dienen te worden vastgezet met behulp van een momentleutel. Voorgeassembleerde bouten dienen opnieuw te worden aangehaald tot het vereiste koppel om maximale sterkte gedurende de hele levensduur te waarborgen.
- DK Opbevaring, installation, brug, betjening og vedligeholdelse af produkterne må kun udføres ifølge instruktionerne i denne vejledning og/eller eventuelle øvrige instruktioner fra Signify for at garantere sikker brug af produktet i hele dets levetid. Hvis disse instruktioner ikke følges, bortfalder produktgarantien. Boltskruer med angivet spændingsmoment på tegningen skal spændes med en indstillet momentnøgle. Færdigmonlede boltskruer skal efterspændes i henhold til det specificerede moment for at sikre maksimal fastgørelse i hele produktets levetid.
- SE Förvaring, installation, användning, drift och underhåll av produkterna måste utföras enligt instruktionerna i denna handbok och/eller andra instruktioner som kan tillhandahållas av oss för att garantera säker användning. Om instruktioner inte följs frångår man produktgarantin. Skruvar där vidmoment anges på ritningen måste dras åt med en kalibrerad skrutnyckel. Förmonterade skruvar måste dras åt igen med angivet vidmoment för att säkerställa högsta styrka under livslängden.
- NO Oppbevaring, montering, bruk, drift og vedlikehold av produktene må uføres nøyaktig i samsvar med instruksjonene i denne handboken og/eller andre instruksjoner vi måtte gi for å garantere sikker bruk av produktet i hele dets levetid. Hvis instruksjonene ikke følges, bortfaller garantien. Bolter med angivelse av dreiemoment på tegningen må strammes med en kalibrert momentnøkkel. Ferdigmonterte bolter må strammes på nytt til påkrevd dreiemoment for å sikre maksimal styrke i hele produktets levetid.
- FI Tuotteiden asennuksessa, käytössä ja huollossa on noudatettava tarkoin tässä käyttöoppaassa tai muissa toimituksissa ohjelmateriaaleissa annettuja ohjeita. Tämä varmistaa tuotteen turvallisen toiminnan koko sen käyttöajan ajan. Näiden ohjeiden noudattamatta jättäminen mitättö kaikki oikeutesi takuukorvauksiin. Pultit, joille on asennusohjeessa ilmoitettu tietty kiristysruutuus, on kiristettävä kalibroituja momenttiavaimella. Esiasennetut pultit on kiristettävä ilmoitettuun kiristysruutuuteen koko käyttöajan mittaisen kestävyuden varmistamiseksi.
- HU A terméknek tárolását, telepítését, használatát, üzemeltetését és karbantartását pontosan a jelen kézikönyvben és / vagy az általunk biztosított egyéb utasításoknak megfelelően kell elvégezni, hogy garantáljuk a termék biztonságos használatát az élettartama alatt. Ezen utasítások be nem tartása érvényteleníti a jótállási jogát. A rajzon a nyomaték-erősséggel jelzett csavarokat meg kell húzni egy kalibrált nyomatékkulccsal. Az előre összeszerelt csavarokat újra meg kell húzni a szükséges nyomaték specifikációhoz, hogy biztosítsák a maximális szilárdságot az élettartam során.
- PL Przechowywanie, instalacja, użytkowanie, obsługa i konserwacja produktów musi odbywać się ściśle według wytycznych zawartych w niniejszej instrukcji i / lub w innych instrukcjach, które dołączamy aby zagwarantować bezpieczne użytkowanie produktu przez cały okres eksploatacji. Nieprzestrzeganie tych instrukcji może spowodować utratę prawa do gwarancji. Śruby, przedstawione na rysunku wskazującym się momentu dokręcania, muszą być dokręcane za pomocą kalibrowanego klucza dynamometrycznego. Aby zapewnić maksymalną wytrzymałość w całym okresie użytkowania, wstępnie zamontowane śruby należy dokręcić zgodnie z wymaganą specyfikacją momentu dokręcania.
- RO Depozitarea, instalarea, utilizarea, operarea și întreținerea produselor trebuie să fie efectuate exact în conformitate cu instrucțiunile din acest manual și/sau cu alte instrucțiuni care pot fi furnizate de noi pentru a garanta utilizarea în siguranță a produsului, pe întreaga durată de viașă a acestuia. Nerespectarea acestor instrucțiuni vă va anula dreptul la garanție. Șuruburile care au cuplul de strângere indicat pe desen, trebuie să fie strânse cu ajutorul unei chei dinamometrice calibrate. Șuruburile preassemblate trebuie să fie strânse din nou la specificația de cuplu cerută, pentru a asigura rezistența maximă pe întreaga durată de viașă.
- CZ Při uchovávaní, montáži, používání a údržbě produktů je třeba postupovat přesně podle pokynů v této příručce a dalších našich případných pokynů, které zajišťují bezpečné používání produktu po celou dobu jejich životnosti. Když tyto pokyny dodržovat nebudete, přijdete o záruku. Šrouby, které mají na výkresu uveden utahovací moment, je třeba utahovat zkalibrovaným momentovým klíčem. Předem namontované šrouby je třeba dotáhnout požadovaným momentem, aby po dobu životnosti produktu držely na místě.

- TR Ürünlerin saklanması, kurulumu, kullanımı, çarptırılması ve bakımı, ürünün kullanım ömrü boyunca güvenli kullanımının sağlanması amacıyla tam olarak bu kılavuzdaki ve / veya talimatından sağlanan diğer talimatlara uygun biçimde gerçekleştirilmelidir. Söz konusu talimatlara uyulmaması, ürüne ilgili garanti hakkınızı geçersiz kılar. Teknik çözüme yanında sıkma torku değeri belirtilen civatalar kalibre edilmiş bir tork anahtarı kullanılarak sıkılmalıdır. Önceden takılmış olarak gelen civatalara da belirtilen tork değerine uygun biçimde yeniden sıkılması, kullanım ömrü boyunca maksimum dayanıklılığın sağlanması açısından önemlidir.
- BG Съхранението, инсталационето, употребата, експлоатацията и поддръжката на продуктите трябва да се извършват точно в съответствие с указанията в това ръководство и / или други инструкции, които могат да бъдат предоставени от нас, за да се гарантира безопасна употреба на продукта през целия му експлоатационен живот. Неспазването на тези указания ще обезсили Ващето право на гаранция. Болтовете с индикация за силата на въртящия момент на чертежа трябва да бъдат затегнати с помощта на калибриран гаечен ключ. Предварително спомените болтове трябва да бъдат отново затегнати до изисваната спецификация на въртящия момент, за да осигурят максимална якост по време на експлоатационния живот.
- GR Η αποθήκευση, η εγκατάσταση, η χρήση, η λειτουργία και η συντήρηση των προϊόντων πρέπει να γίνεται σύμφωνα με τις οδηγίες του παρόντος εγχειρίδιου ή / και τις άλλες οδηγίες που επιδορούνται με παραρτήματα, προκειμένου να είναι συμβατή η ασφαλής χρήση των προϊόντων για ολόκληρη τη διάρκεια ζωής του. Η μη εφαρμογή αυτών των οδηγιών θα απενεργοποιήσει το δικαιώματός σας στο πλαίσιο της σύμβασης. Οι βίδες με ένδειξη τμήσης ροπής σύμφωνα στο σχέδιο θα πρέπει να σφίγγονται με τη χρήση ενός βαθμονομημένου ροπακκιού. Οι προ-συνδεδεματωμένες βίδες πρέπει να σφίγγονται και πάλι με την απαιτούμενη τμήση ροπής σύμφωνα, προκειμένου να διασφαλιστεί η μέγιστη ισχύς σε όλη τη διάρκεια ζωής.
- RU Чтобы гарантировать безопасное использование этого изделия на протяжении всего соответствующего срока службы, его хранение, установку, использование, эксплуатацию и обслуживание необходимо осуществлять с приведенными в настоящем руководстве инструкциями и (или) иным инструкциями, которые могут быть предоставлены нами. Несоблюдение этих инструкций приведет к потере прав на гарантию. Болты, для которых на чертеже указан крутящий момент, необходимо затегивать калиброванным динамометрическим ключом. Для обеспечения максимальной прочности изделия в течение всего срока службы болты, завинченные в ходе предварительной сборки, необходимо подтянуть до указанного момента.
- SK Uskladnenie, inštalácia, používanie a údržba produktov je potrebné postupovať presne podľa pokynov v manuáli a/alebo iných nami poskytnutých pokynov, ktoré zaisťujú bezpečné používanie produktu počas celej doby životnosti. Nedodržaním týchto pokynov sa ruší záruka. Skrutky s naznačenou silou utiahnutia, musia byť utiahované kalibrovaným momentovým kľúčom. Vopred namontované skrutky musia byť znovu utiahnuté podľa požadovanej špecifikácie, aby komponenty držali na mieste počas celej životnosti.
- HR Pohranjivanje, instaliranje, uporaba, korištenje i održavanje proizvoda treba se vršiti točno u skladu s uputama u ovom priručniku i/ili s drugim uputama osiguranim s naše strane kako bi se jamčila sigurna uporaba proizvoda kroz cijeli radni vijek. Nepoštivanje ovih uputa poništava vaše pravo na jamstvo. Vijci s indiciranim momentom zatezanja na nacrtu trebaju biti učvršćeni korištenjem zateznog alata s kalibriranim momentom zatezanja. Također i već učvršćeni vijci trebaju biti doterani do specificiranog zateznog momenta kako bi se osigurala učvršćenost tijekom cijelog radnog vijeka.
- LT Produktų saugojimas, montavimas, naudojimas, eksploatavimas ir priežiūra turi būti atlikti tiksliai pagal instrukcijas, pateiktas šiame vadove ir (arba) kitas instrukcijas, kurias mes galime pateikti, kad garantuotume saugų gaminių naudojimą per visą jo eksploatavimo laiką. Jei nesilaikysite šių instrukcijų nurodymų bei reikalavimų, jūsų teisė į garantiją bus panaikinta ir nebegalios. Varžta, nurodantis sukimo momento stiprumą brėžinyje, turi būti užvertži naudojant kalibruotą sukimo momento vertifikantį. Iš anksto sumontuotus varžtus reikia vėl priveržti iki reikiamo sukimo momento, kad būtų užtikrintas maksimalus tvirtumas per visą eksploatavimo laiką.
- LV Izstrādājumu uzglabāšana, uzstādīšana, lietošana un apkope jāveic precīzi saskaņā ar šajā rokasgrāmatā sniegtajām instrukcijām un / vai citām instrukcijām, kuras mēs varam piedāvāt, lai garantētu produkta drošu lietošanu visā tā darbības laikā. Neievērojot šos norādījumus, jūsi tiesības uz garantiju tiek anulētas. Bultskrūves ar norādītu griezes stiprumu zīmējumos jābūt pieskrūvētām izmantojot kalibrētu griezes atslēgu. Iepriekš samontētās skrūves ir atkal jāpievelk līdz vajadzīgajai griezes specifikācijai, lai nodrošinātu maksimālu pieguvi visā ekspluatācijas laikā.
- EE Tootelehtestamine, paigaldamine, kasutamine, käitamine ja hooldus tuleb läbi viia täpselt vastavalt selle juhendi juhistele ja/või muudele meie poolt pakutavatele juhistele, et tagada toote ohutu kasutamine kogu selle toote eluaja jooksul. Wende juhiste mittejärgimine kaotab teie õiguse garantiile. Poldid, millel on joonisel toodud pöördemomendi tugevus, tuleb pingutada kalibreeritud pöördemoment mutrivõtmega abil. Ednevalt kinnitatud poldid tuleb uuesti pingutada vastavalt nõutavale pöördemomendi spetsifikatsioonile, et tagada maksimaalne kinnituse tugevus kogu eluea jooksul.
- SI Skladščenje, namesitve, uporaba, delovanje in vzdrževanje izdelkov mora biti natančno izvedeno v skladu z navodili v tem priručniku in / ali drugimi navodili za izdelave vame uporabe izdelka skozi celotno življenjsko dobo. V primeru neupoštovanja teh navodil, se lahko razveljavi pravica do garancije. Vijake, ki imajo označen navor, je potrebno zategniti s kalibriranim navornim ključem. Vijake, ki so že sestavljeni, je potrebno znova priviti v skladu z zahtevanim navorom, da je zagotovljena maksimalna moč skozi življenjsko dobo.
- GB This product contains a light source of energy efficiency class: see table or label.
- RO Acest produs conține o sursă de lumină cu clasa de eficiență energetică: a se vedea tabelul sau eticheta.
- ES Este producto contiene una fuente luminosa de la clase de eficiencia energética: ver tabla o etiqueta.
- CZ Tento výrobek obsahuje světelný zdroj s třídou energetické účinnosti viz tabulka nebo štítek.
- PT Este produto contém uma fonte de luz da classe de eficiência energética: ver tabela ou rótulo.
- FI Tämä tuote sisältää valonlähteen, jonka energiatehokkuusluokka on: katso taulukko tai etiketti.
- DE Dieses Produkt enthält eine Lichtquelle der Energieeffizienzklasse: siehe Tabelle oder Etikett.
- SE This Denna produkt innehåller en ljuskälla med energieffektivitetsklass: se tabell eller etikett.
- FR Ce produit conti nt une source lumineuse de classe d'efficacité énergétique: voir tableau ou étiquette.
- HU Ez a termék egy energiatékonyasági osztályú fényforrást tartalmaz: lásd a táblázatot vagy a címkét.
- IT Questo prodotto contiene una sorgente luminosa di classe di efficienza energetica: vedere tabella o etichetta.
- SK Tento výrobek obsahuje svetelný zdroj triedy energetickej účinnosti: pozri tabuľku alebo štítek.
- ML Dit product bevat een lichtbron van energie-efficiëntieklasse: zie tabel of label.
- HR Ovak proizvod sadržava izvor svetlosti klase nemetske učinkovitosti vid tablicu ili nalepnicu.
- DK Dette produkt indeholder en lyskilde i energieffektivitetsklasse: se table eller etiket.
- LV Šis raibojums satur gaismas avotu, kura energoefektivitātes klase ir: skatīt tabulu vai etiķeti.
- LT Šiame gaminyje yra šviesos šaltinis, kurio energijos vartojimo efektyvumo klasė: žr. lentelę arba etiketę.
- EE Toode sisaldab energiatõhususe klassi valgusallikat: vt tabelit või etiketti.
- GR Το προϊόν αυτό περιέχει φωτεινή πηγή της τάξης ενεργειακής αποτελεσματικότητας: βλ. πίνακα ή ετικέτα.
- BG Този продукт съдържа светлинен източник с клас на енергийна ефективност: вижте таблицата или етикета.
- PL Ten produkt zawiera źródło światła o klasie efektywności energetycznej: patrz tabela lub etykieta.
- SI Ta izdelek vsebuje svetlobni vir razreda enerjske učinkovitosti: glej tabelo ali nalepko.



© 2021 Signify Holding.

All rights reserved. This document contains information relating to the product portfolio of Signify which information may be subject to change. No representation or warranty as to the accuracy or completeness of the information included herein is given and any liability for any action in reliance thereon is disclaimed. The information presented in this document is not intended as any commercial offer and does not form part of any quotation or contract. Philips and the Philips Shield Emblem are registered trademarks of Koninklijke Philips N.V.. All other trademarks are owned by Signify Holding or their respective owners.

Signify Holding.
The Netherlands