





















Inrush Current (230VAC) (Apk/μs)	106/300
Luminaire Surge Protection	6KV
Luminaire Surge Protection with SPD Optional	10KV

Type of electrical protection installation		Maximun number of luminaires to install	
		1 driver 150W	2 driver 150W
MCB16A	B TYPE	8	4
	C TYPE	13	6
MCB10A	B TYPE	4	2
	C TYPE	8	4

**i** Tc max. of PCBA = 95°C  
Measurement in LED nr 63.

			<b>LEDs</b>	<b>Lamp lumen</b> +/- 7%	<b>W</b> +/- 11%							
								Indoor			standard	citytouch
			LED70-4S	48	7200	44						
			LED80-4S		8000	49					15 Kg	16Kg
			LED100-4S	64	10000	60						
			LED120-4S		12000	73						
			LED140-4S		14000	87						
			LED160-4S		16000	100						
			LED180-4S	82	18000	112						
			LED200-4S		20000	128		45	35			
740/ 757			LED220-4S		22000	142	✓					
			LED240-4S		24000	148	✓			-40		
			LED260-4S		26000	160					16Kg	17kg
			LED280-4S		28000	176						
			LED300-4S		30000	190						
			LED320-4S	120	32000	205						
			LED340-4S		34000	220						
			LED360-4S		36000	235						
			LED380-4S		38000	255		45*	35*			
			LED400-4S		40000	270		35	25			

\*Only for OFA52 and S optics (Check with Philips) . All optics are available for Ta 35°C outdoor / Ta 25°C indoor .

			<b>LEDs</b>	<b>Lamp lumen</b> +/- 7%	<b>W</b> +/- 11%							
								Outdoor	Indoor		standard	citytouch
			LED70-4S	48	7000	56						
			LED90-4S		9000	76					15 Kg	16Kg
			LED110-4S	64	11000	90						
			LED130-4S		13000	106						
			LED140-4S	82	14000	116						
			LED160-4S		16000	136						
			LED180-4S		18000	158		45	35			
830			LED200-4S		20000	164	✓					
			LED220-4S		22000	184	✓			-40		
			LED240-4S		24000	205					16Kg	17kg
			LED260-4S		26000	225						
			LED280-4S	120	28000	245						
			LED300-4S		30000	270						
			LED320-4S		32000	295		35	25			
			LED340-4S		34000	320		25	15			

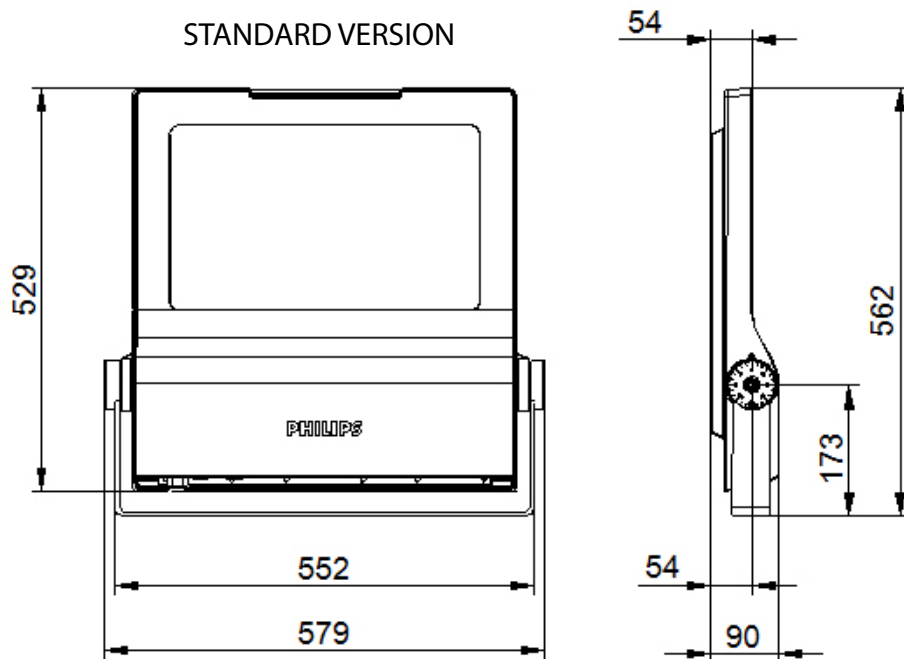


This luminaire must be installed only by qualified personnel

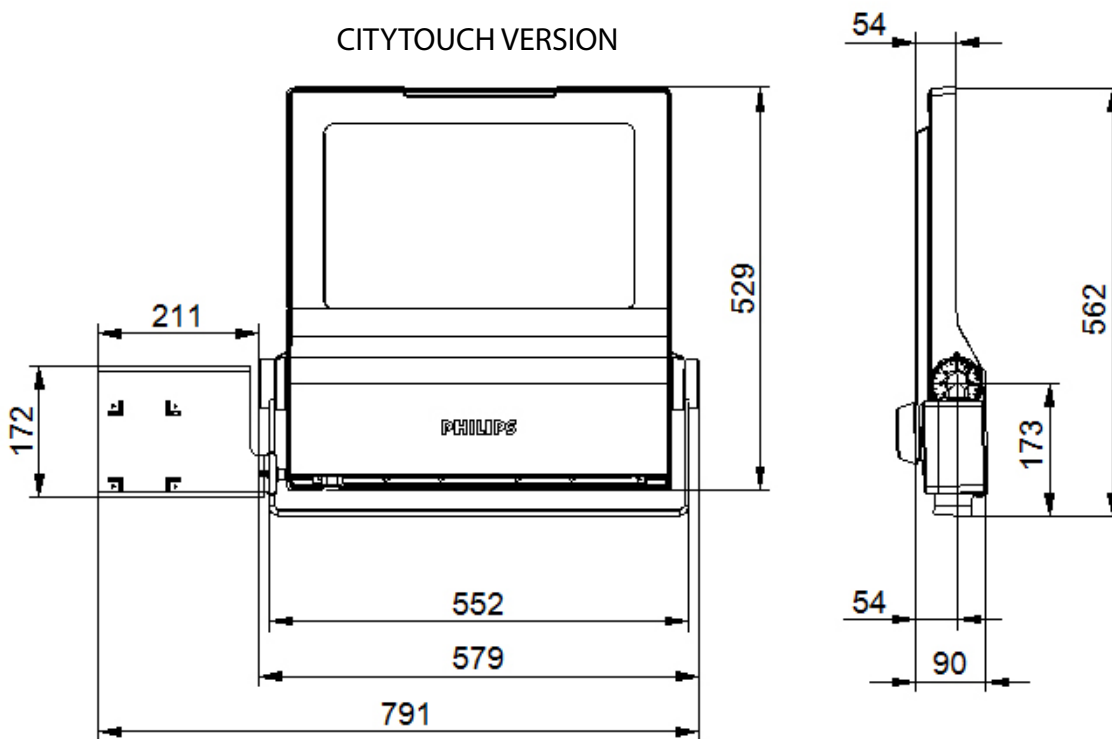


Disconnect before servicing

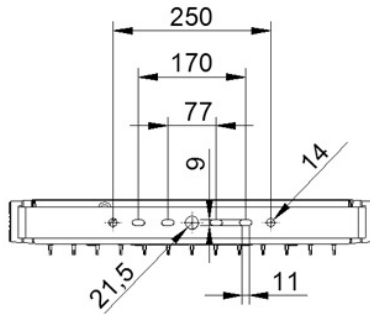
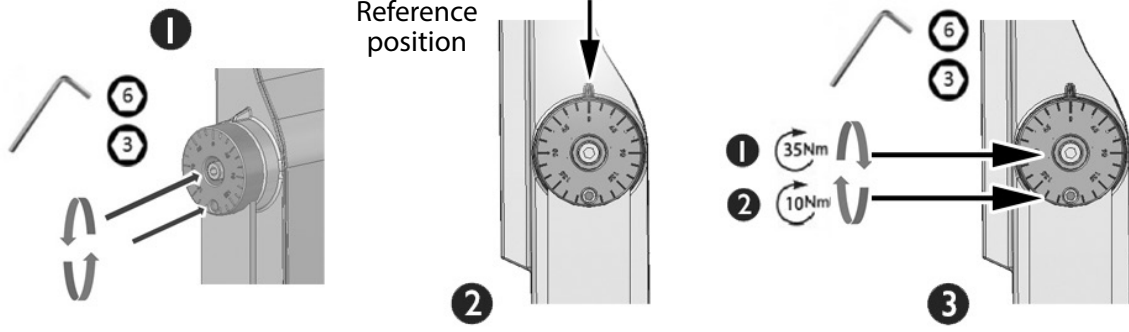
### STANDARD VERSION



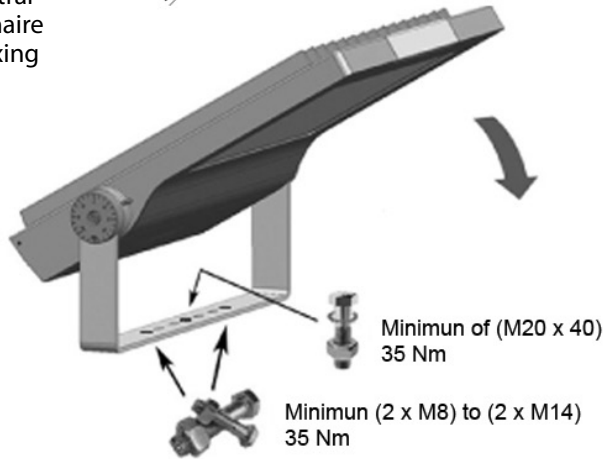
### CITYTOUCH VERSION



## BRACKET FIXATION

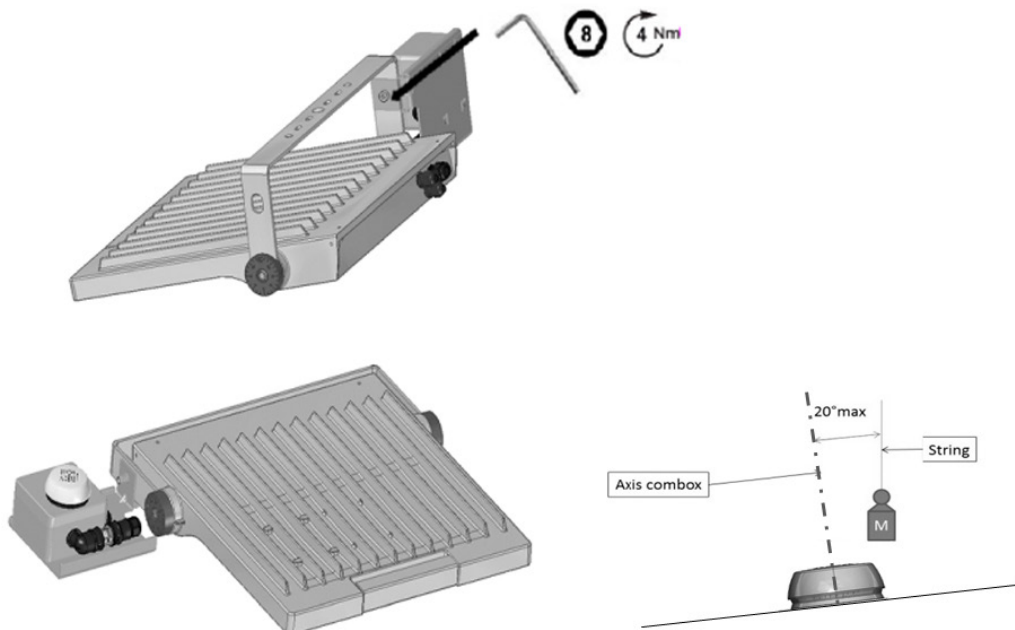


In case of using only the central hole fixation and if the luminaire is higher >3m, the use 2<sup>nd</sup> fixing security system is needed.



1

## CITYTOUCH BOX INSTALLATION / FIXATION



2

## LUMINAIRE OPENING

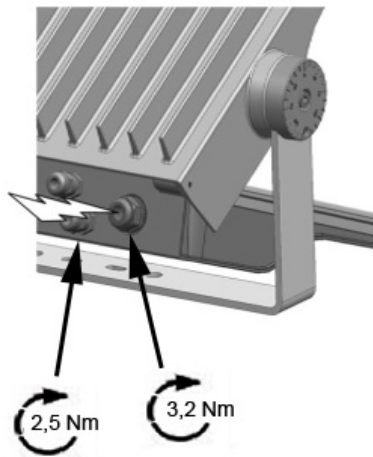
1



2



## TYPES OF MAIN CONNECTOR



STANDARD MAIN IN  
or MAIN + LINESWITCH



MAIN IN + DALI IN

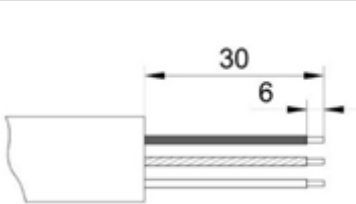
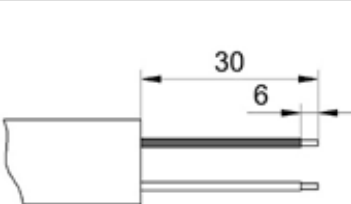



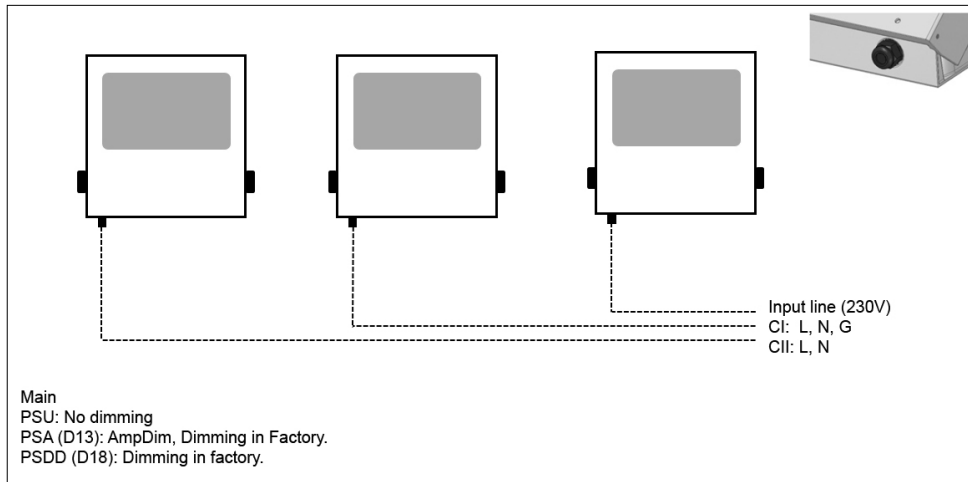
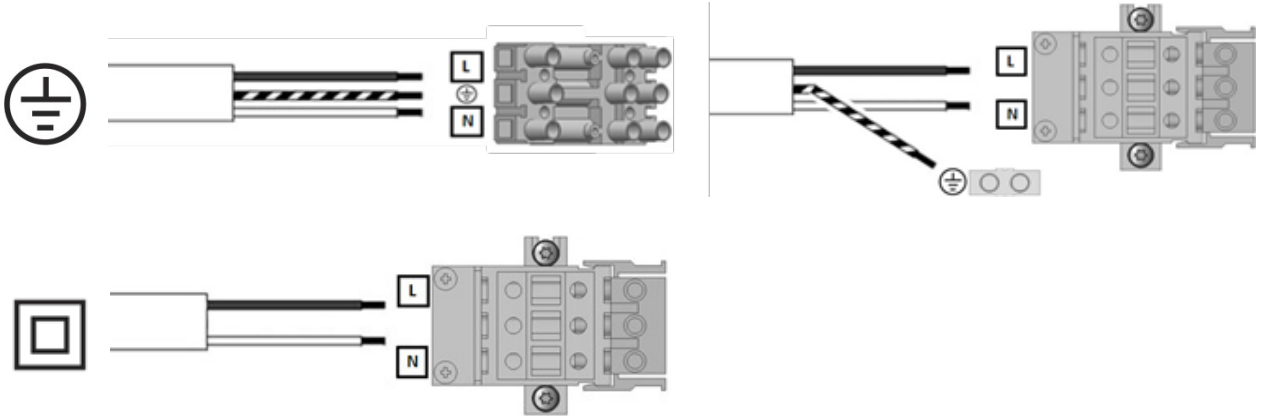
MAIN IN+  
DALI IN / OUT



MAIN IN+ LINESWITCH IN / OUT

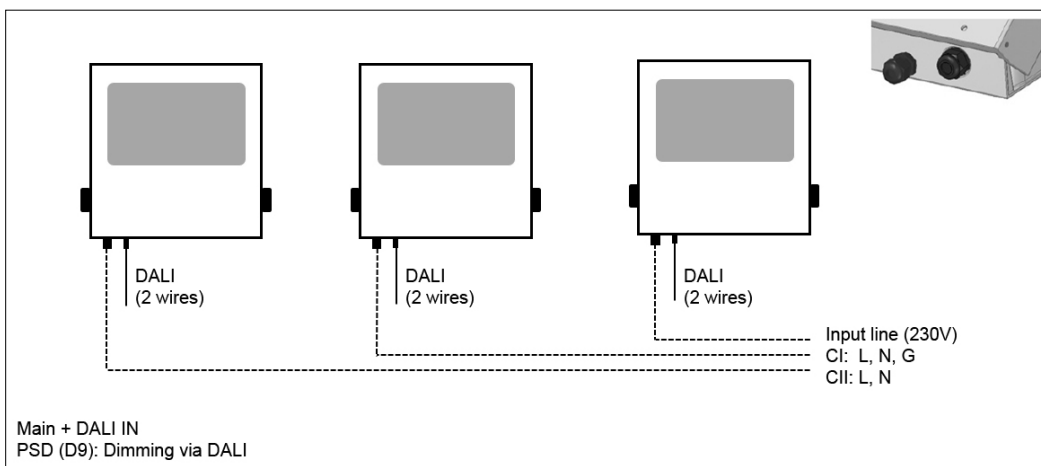
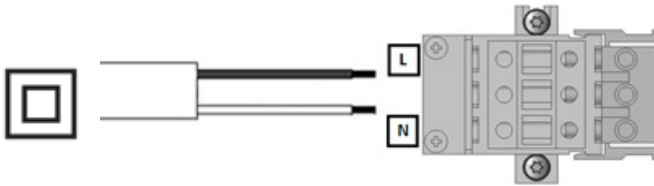
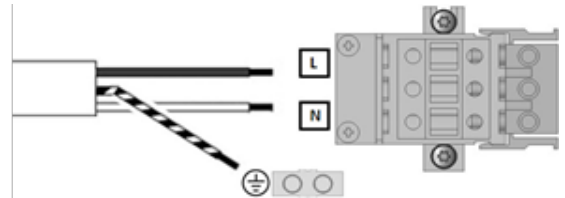
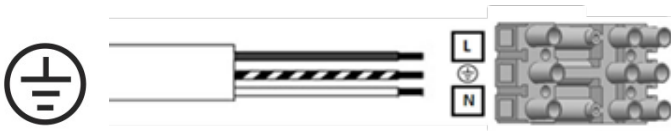
## TYPES OF MAIN CONNECTOR

PSU, PSA (D13), PSDD (D18) CONNECTION					
Main connection Class-I			Main connection Class-II		
	L	LINE (Brown)		L	LINE (Brown)
		GROUND (Yellow & Green)		-	-
	N	NEUTRAL (Blue)		N	NEUTRAL (Blue)



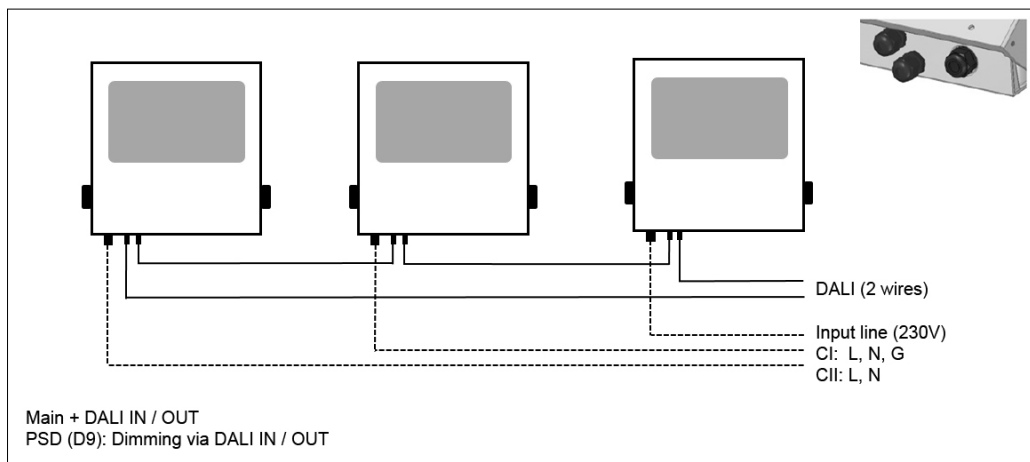
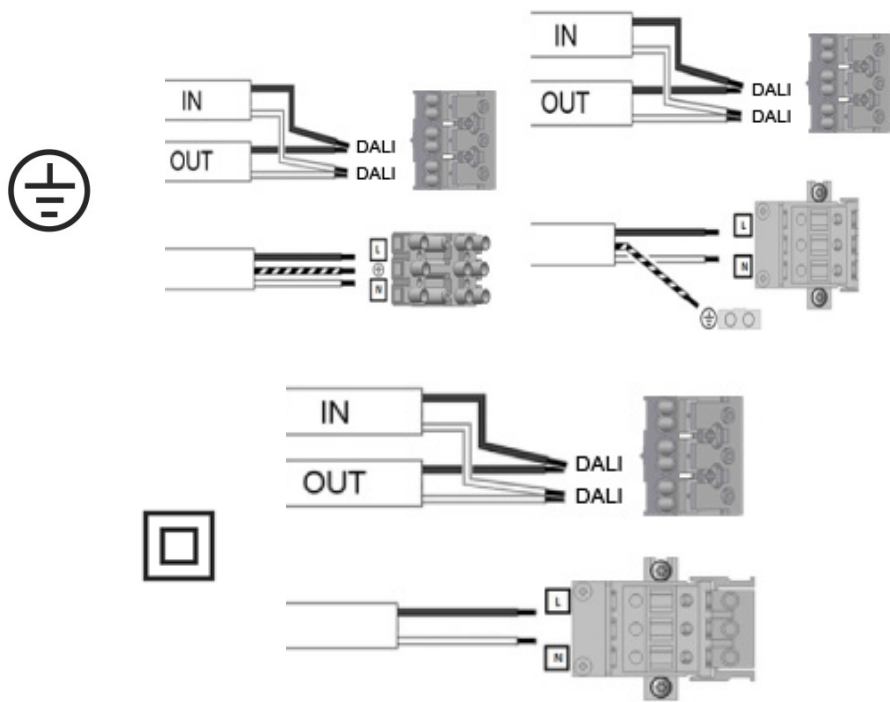
PSD DALI (D9) CONNECTION

Main connection Class-I			Control connection I		
Ø6-12 mm (wire section 2 - 4 mm <sup>2</sup> )			Ø4-9 mm (wire section 1,5 - 2,5 mm <sup>2</sup> )		
	L	LINE (Brown)		1	DALI
		GROUND (Yellow & Green)		2	DALI
	N	NEUTRAL (Blue)			
Main connection Class-II					
Ø6-12 mm (wire section 2 - 4 mm <sup>2</sup> )					
	L			LINE (Brown)	
	N			NEUTRAL (Blue)	



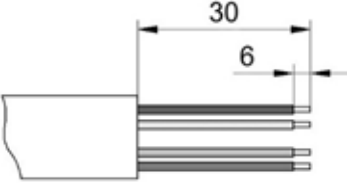
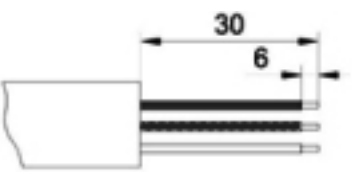

PSD DALI (D9) IN/OUT CONNECTION

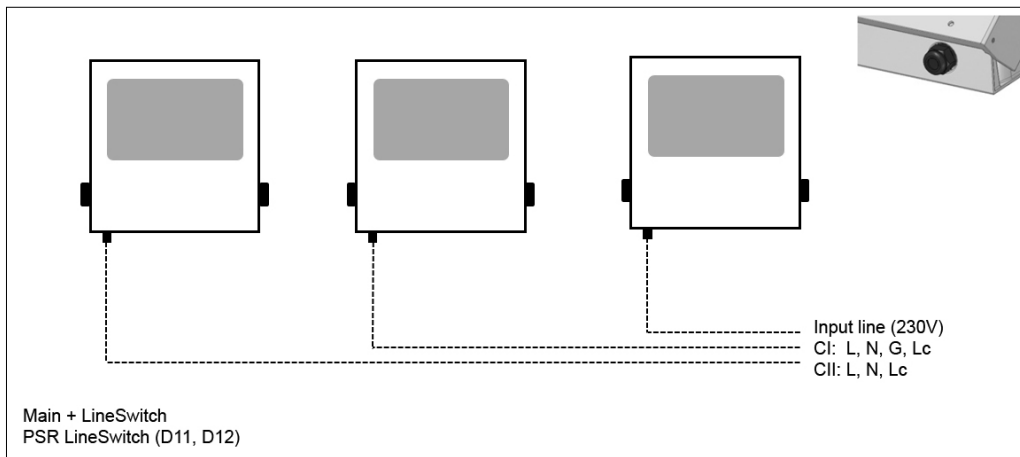
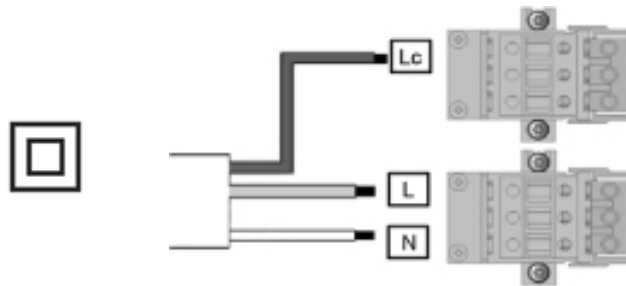
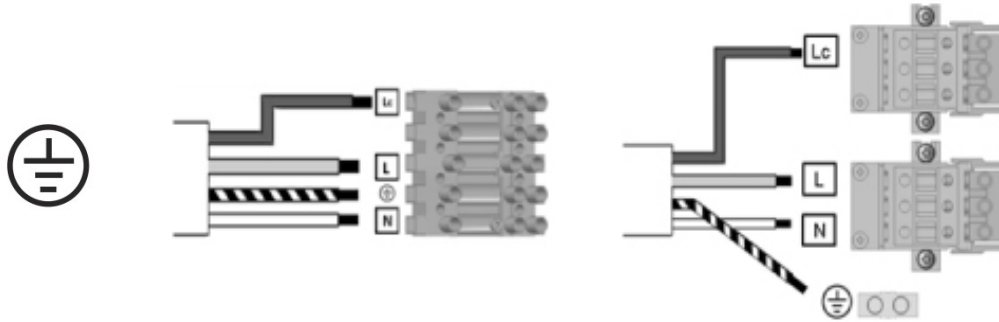
Main connection Class-I			Control connection IN/OUT		
Ø6-12 mm (wire section 2 - 4 mm <sup>2</sup> )			Ø4-9 mm (wire section 1,5 - 2,5 mm <sup>2</sup> )		
	L	LINE (Brown)		1	DALI
		GROUND (Yellow & Green)		2	DALI
	N	NEUTRAL (Blue)			
Main connection Class-II					
Ø6-12 mm (wire section 2 - 4 mm <sup>2</sup> )					
	L			LINE (Brown)	
	N			NEUTRAL (Blue)	





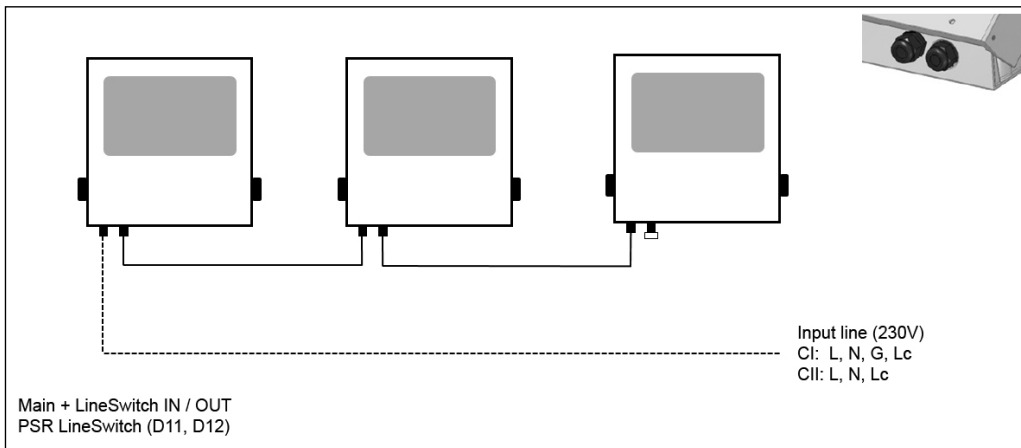
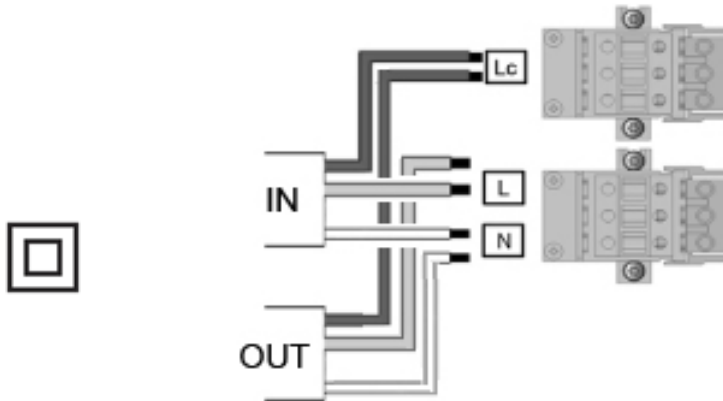
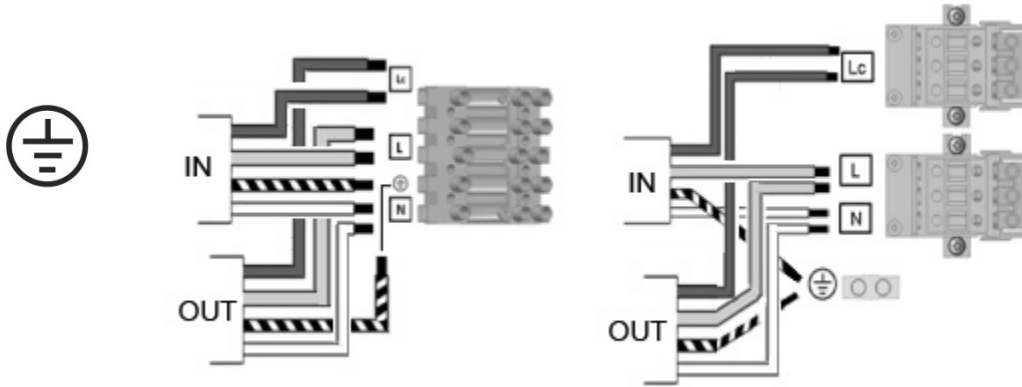
## PSR Lineswitch (D11,D12) CONNECTION

Main connector Class-I			Main connector Class-II		
$\varnothing 6-12$ mm (wire section 2 - 4 mm <sup>2</sup> )					
	L	LINE (Brown)		L	LINE (Brown)
		GROUND (Yellow & Green)		-	-
	N	NEUTRAL (Blue)		N	NEUTRAL (Blue)
	L2	Lc		L2	Lc



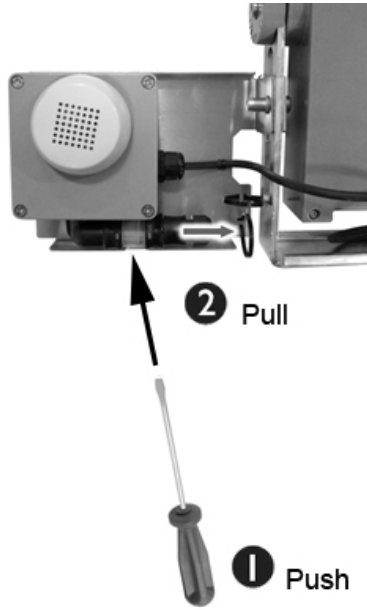
PSR Lineswitch (D11,D12) IN / OUT CONNECTION

Main connector Class-I IN/OUT			Main connector Class-II IN/OUT		
Ø6-12 mm (wire section 2 - 4 mm <sup>2</sup> )					
	L	LINE (Brown)		L	LINE (Brown)
		GROUND (Yellow & Green)		-	-
	N	NEUTRAL (Blue)		N	NEUTRAL (Blue)
	L2	Lc		L2	Lc

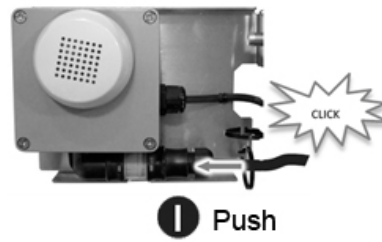


CITYTOUCH CONNECTION  
 Ø10-14 mm 2-4 mm<sup>2</sup>

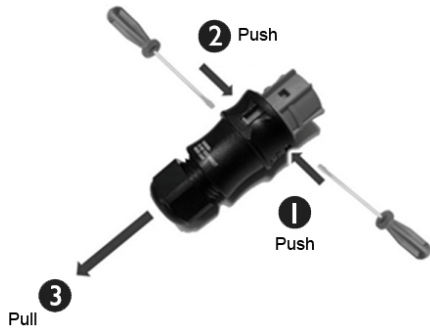
OPEN MAIN CONNECTOR



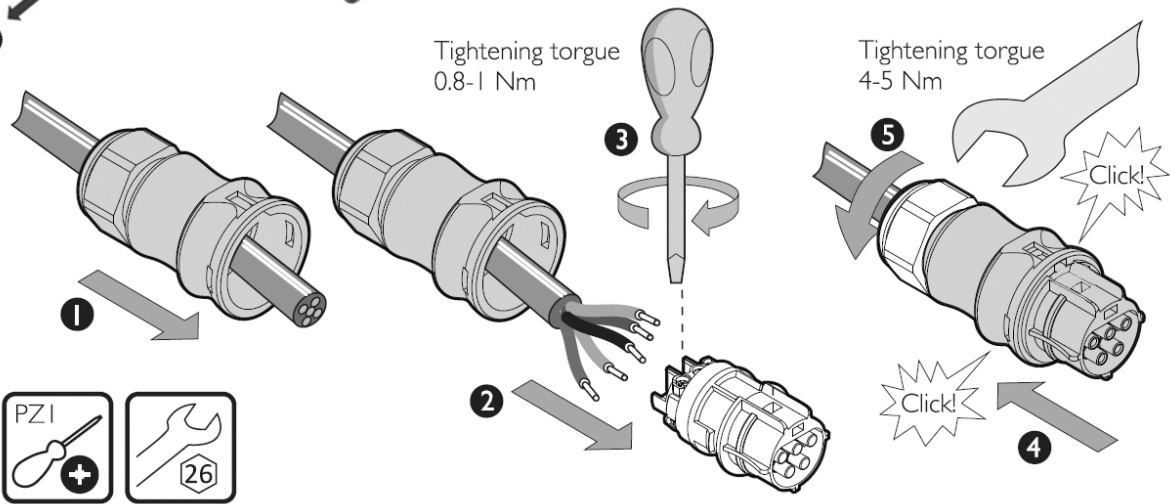
CLOSE MAIN CONNECTOR



WIRE CONNECTION TO WIELAND

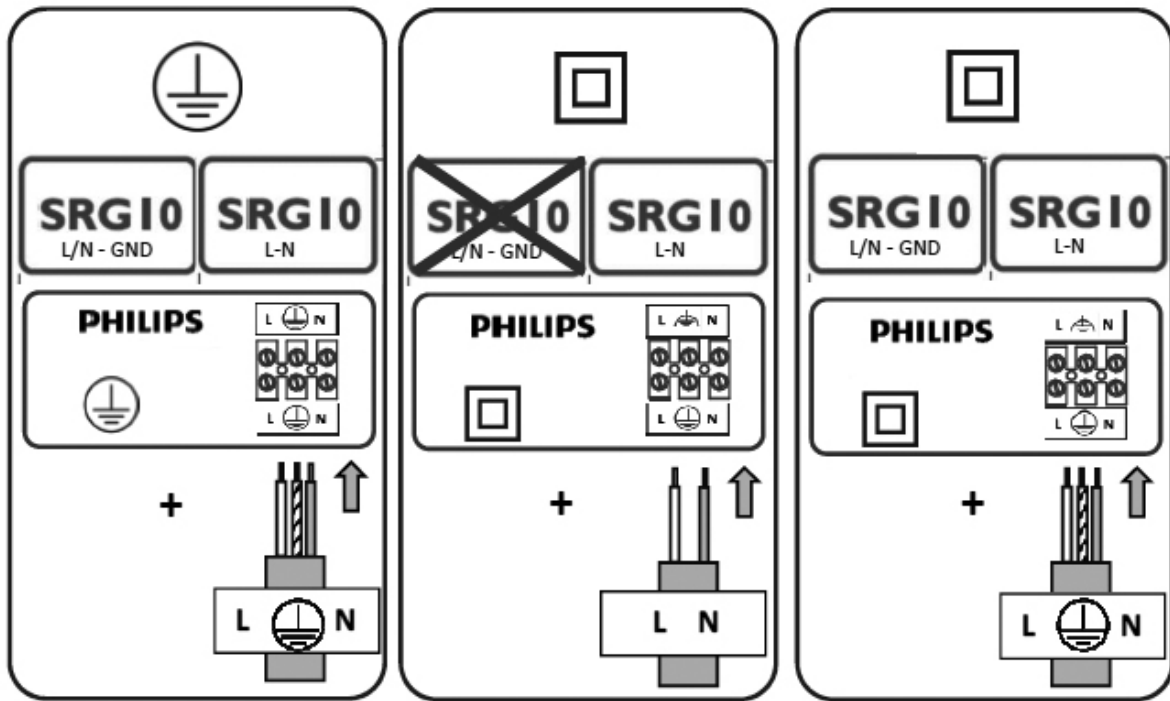


**⚠ The connectors are not for current interrupting. Never connect or disconnect under load.**



CITYTOUCH CONNECTION

Main connector Class-I		Main connector Class-II		
	L	LINE (Brown)	1	LINE (Brown)
		GROUND (Yellow & Green)	2	-
	N	NEUTRAL (Blue)	3	NEUTRAL (Blue)
	1	DALI	4	DALI
	2	DALI	5	DALI











© 2016 Philips Lighting Holding B.V.

All rights reserved. Reproduction in whole or in part is prohibited without consent of the copyright owner.

The information presented in this document does not form part of any quotation or contract and is believed to be accurate and reliable and may be changed without notice. No liability will be accepted by the publisher for any consequence of its use. Publication thereof does not convey nor imply any license under patent or other industrial or intellectual property rights.

Philips Lighting Holding B.V.  
The Netherlands